

# Kensington Balustrade Systems



## Stainless Steel and Glass Balustrade Brochure

---

Edition 26



1-5: 42.4 x 2.5mm Fittings

6-10: 48.3 x 2.5mm Fittings

11-13: 50.8 x 3mm Fittings

14-15: 60.3 x 4mm Fittings

16-17: KBS Channel System

18-25: KT Channel System

26: KT Parapet Channel System

27: Aluminium Slotted Tubes

28-29: Stainless Steel Slotted Tubes

30: Rubber Profile Gaskets

31: Glass Stiffeners

32-34: Glass Clamps

35-37: Stand-Offs

38: Aluminium Posts Range

39: Juliet Channel System

40: Tubular Juliet System

41-42: Glass Canopy Systems

43: Glass Brackets

44: Gate Hinges

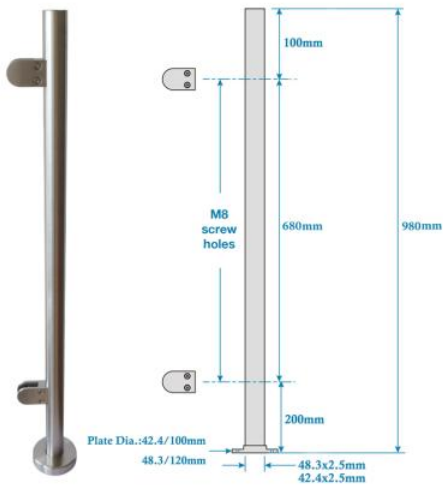
45: Handrail Support Brackets

46: Stainless Steel Wire System

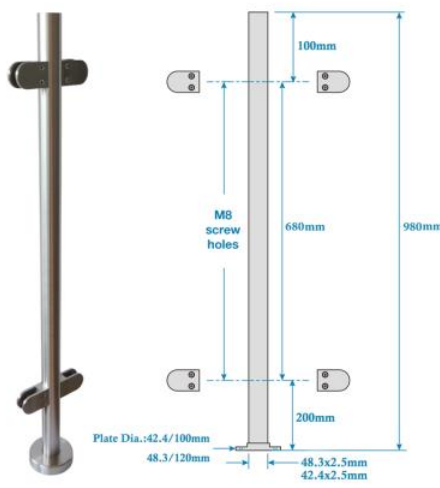
47: Anti-Skateboard Fittings

48: Stainless Steel Tubes

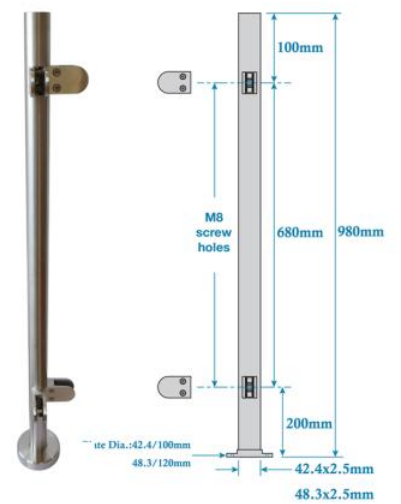
49: Accessories



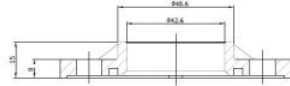
**SP1011-42.4**  
End Post  
316 Grade Satin Finish



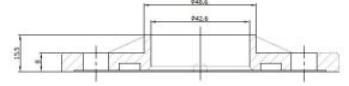
**SP1012-42.4**  
Mid Post  
316 Grade Satin Finish



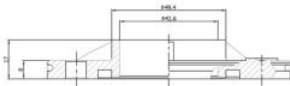
**SP1013-42.4**  
Corner Post  
316 Grade Satin Finish



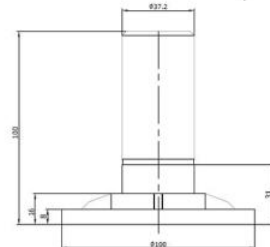
**RON1012-42.4**  
316 Grade Raw  
100mm Wide (4 x 11mm Holes)



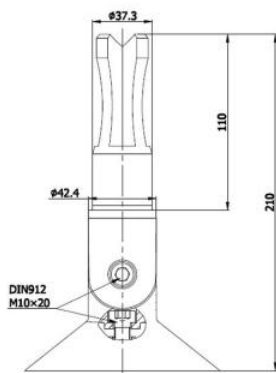
**RON1011-42.4**  
316 Grade Raw  
120mm Wide (4 x 11mm Holes)



**RON1009-42.4**  
316 Grade Raw  
105mm Wide



**0188.426.316**  
316 Grade Satin Finish  
100mm Wide



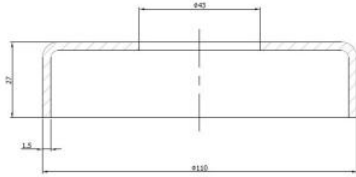
**42-BASE-PLATE-ADJ**  
316 Grade Satin Finish



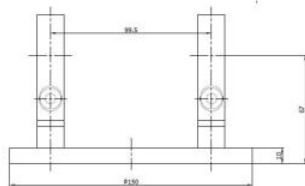
**ROS1001-42.4**  
105mm Wide Cover Plates  
316 Grade Satin / Mirror



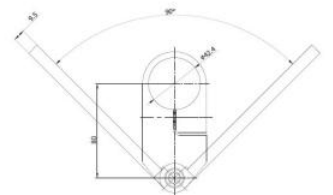
**ROS1002-42.4**  
125mm Wide Cover Plates  
316 Grade Satin / Mirror



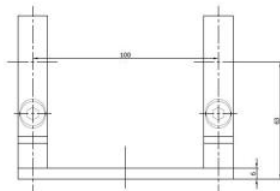
**ROS1005-42.4**  
110mm Wide Cover Plates  
316 Grade Satin



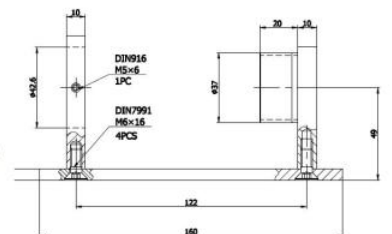
**0521.424.316**  
150mm Baluster Bracket (45mm Off-Set)  
316 Grade Satin / Mirror



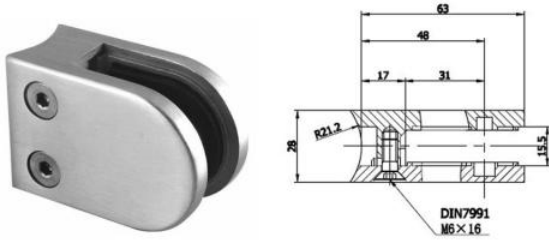
**0527.424.316**  
90 Degree Baluster Bracket (45mm Off-Set)  
316 Grade Satin / Mirror



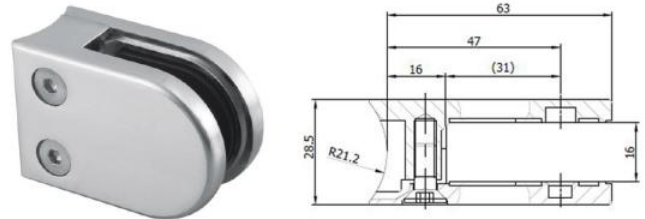
**42-WALL-BRACKET-316**  
316 Grade Satin Finish  
(42mm Off-Set)



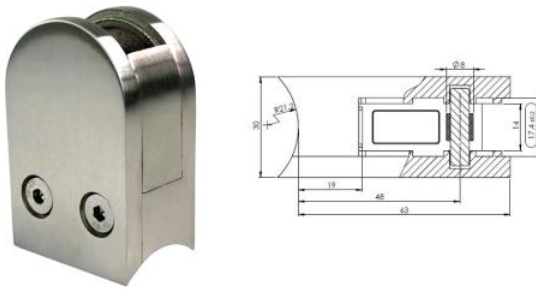
**WND1012-42.4**  
42.4mm  
316 Grade Satin Finish  
(28mm Off-Set)



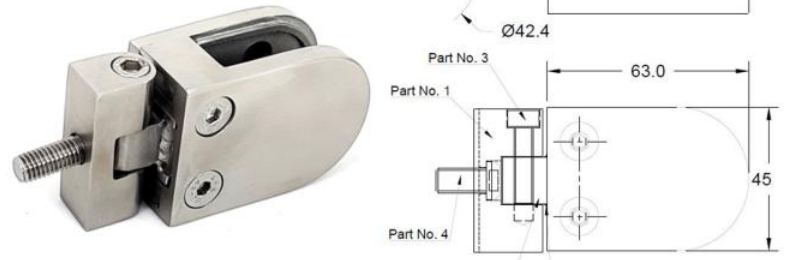
**KLH10R-42.4**  
D Shape Glass Clamp  
304 / 316  
Satin / Mirror



**KLH13.52-15MM-42.4**  
D Shape Glass Clamp  
316  
Satin / Mirror



**KLH10R-42.4-SAFETY**  
D Shape Glass Clamp + Safety Plate  
316  
Satin



**KLH10R-42.4-ADJ**  
D Shape Adjustable Glass Clamp  
316 Satin  
(Also Available 48.3mm & Flat)



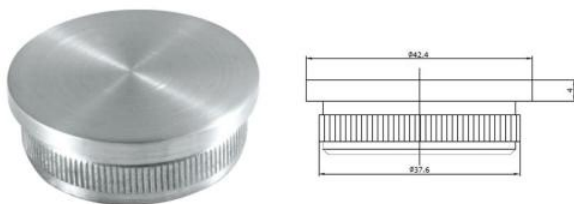
**HH1005-42.4-ADJ**  
Adjustable Bung, Stem, & Saddle  
316 Grade Satin



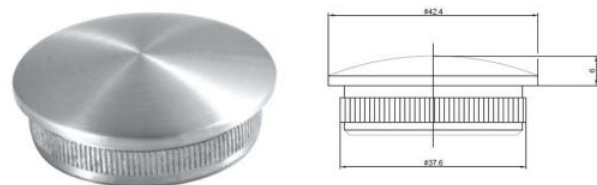
**HH1008-42.4-ADJ**  
Adj Bung, Adj Stem, & Saddle  
316 Grade Satin



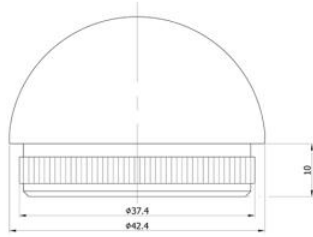
**HH1005-90D-42.4-ADJ**  
Adjustable Bung, Stem, & 90D Saddle  
316 Grade Satin



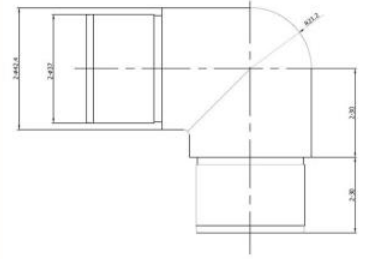
**EK1002-42.4**  
Flat End Cap  
316 Satin / Mirror



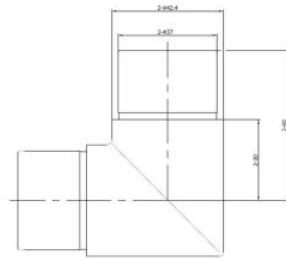
**EK1010-42.4**  
Convex End Cap  
316 Satin / Mirror



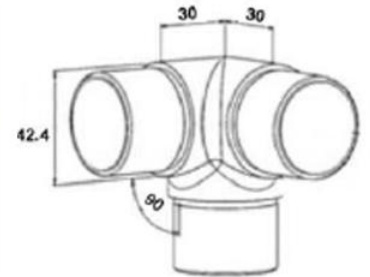
**EK1018-42.4**  
Dome End Cap  
316 Satin



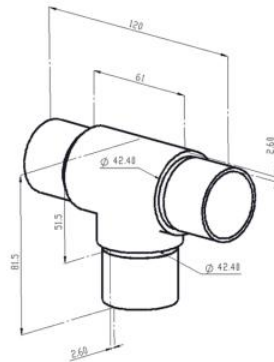
**RV1003-42.4**  
Mid-Radius Bend  
316 Satin / Mirror



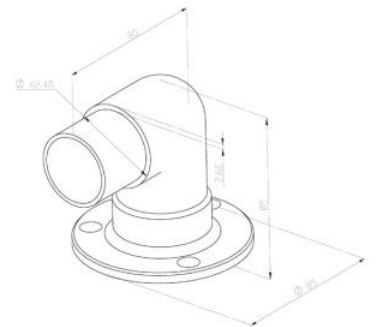
**RV1005-42.4**  
Sharp Bend  
316 Satin



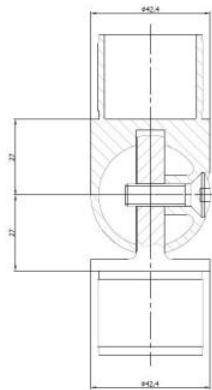
**EVB1009-42.4**  
3-Way Elbow  
316 Satin



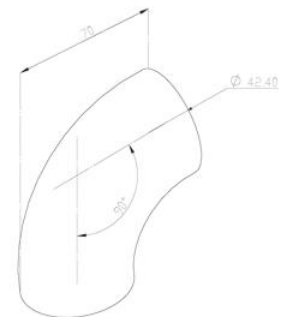
**0206.426.316**  
3-Way Connector  
316 Satin



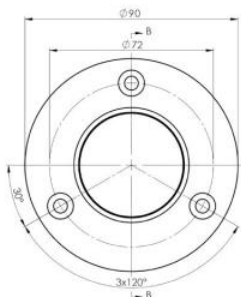
**RV1003K-WALLPLATE-42.4**  
Wallplate & Elbow  
316 Satin



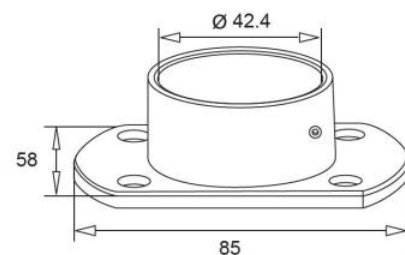
**RV1004-ADJ-42.4**  
Adjustable Elbow  
316 Satin



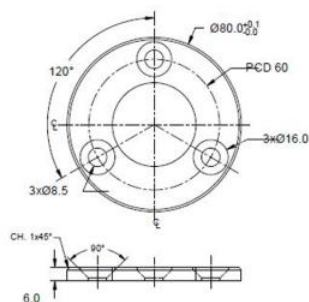
**ROB-42.4**  
Weldable Elbow  
316 Satin



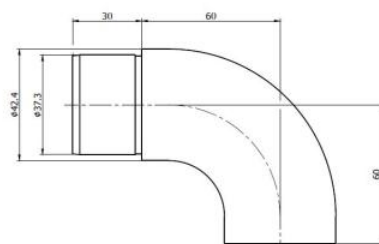
**WALLPLATE-42.4**  
316 Satin / Mirror



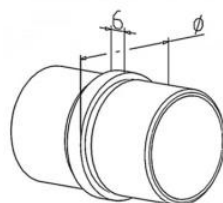
**WALLPLATE-42.4-OBLONG**  
316 Satin / Mirror



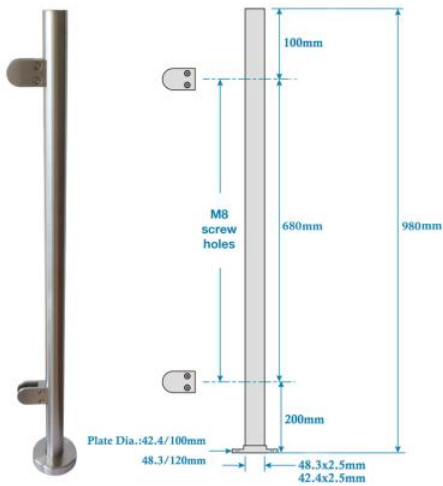
**WALLPLATE-ADJ-42.4**  
Adjustable Wallplate  
316 Satin



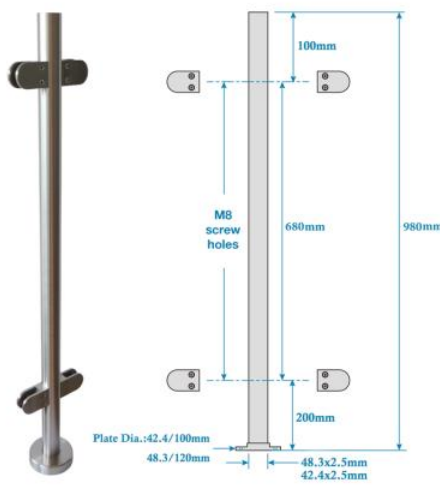
**RV1018-42.4**  
End Scroll  
316 Satin / Mirror



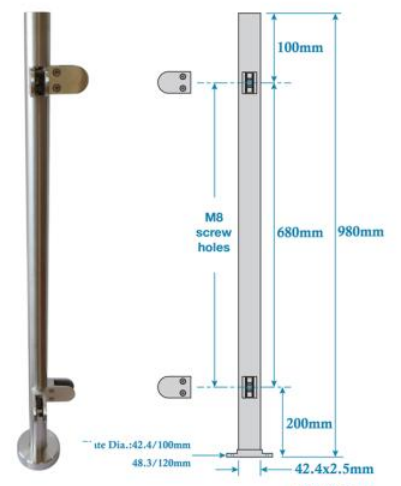
**RV1001K-42.4**  
Straight Connector  
316 Satin / Mirror



**SP1011-48.3**  
End Post  
316 Grade Satin Finish



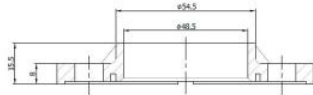
**SP1012-48.3**  
Mid Post  
316 Grade Satin Finish



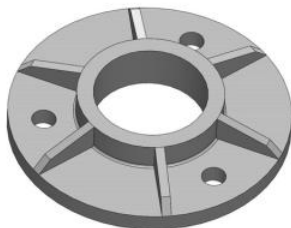
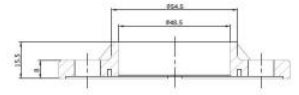
**SP1013-48.3**  
Corner Post  
316 Grade Satin Finish



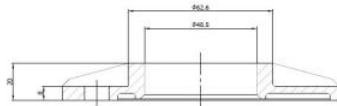
**48-RON1012-316**  
316 Grade Raw  
100mm Wide (4 x 11mm Holes)



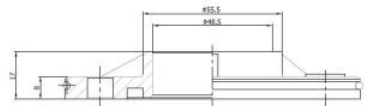
**48-RON1011-316**  
316 Grade Raw  
120mm Wide (4 x 11mm Holes)



**48-RON1016-316**  
316 Grade Raw  
120mm Wide (3 x 10.5mm Holes)

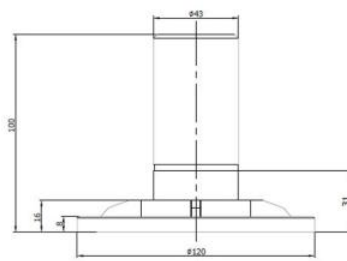
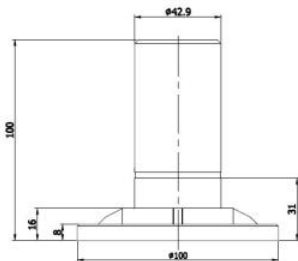


**48-RON1009-316**  
316 Grade Raw  
115mm Wide

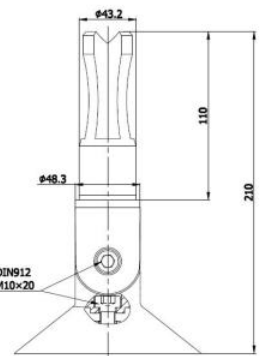


**0188.486.316 (100mm)**  
**0189.486.316 (120mm)**

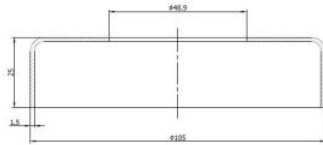
316 Grade  
Satin Finish



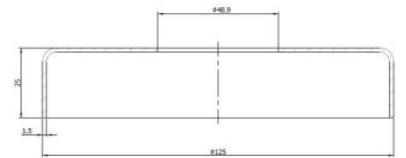
**48-BASE-PLATE-ADJ**  
316 Grade  
Satin Finish



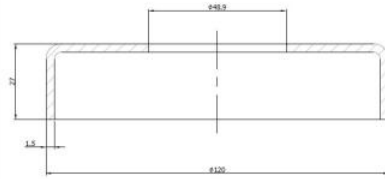




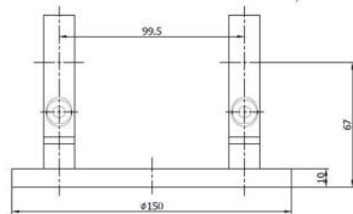
**48-ROS1001**  
105mm Wide Cover Plates  
316 Grade Satin / Mirror



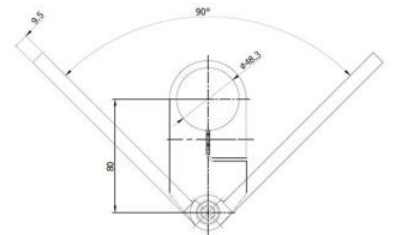
**48-ROS1002**  
125mm Wide Cover Plates  
316 Grade Satin / Mirror



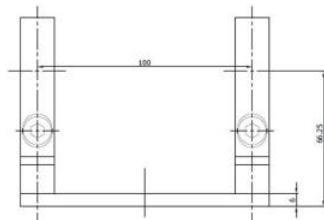
**ROS1005-48.3**  
120mm Wide Cover Plates  
316 Grade Satin / Mirror



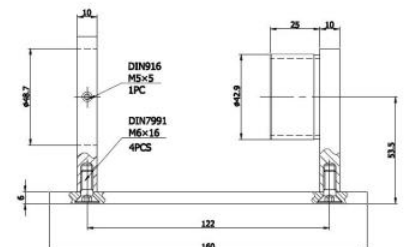
**0521.483.316**  
150mm Baluster Bracket (45mm Off-Set)  
316 Grade Satin / Mirror



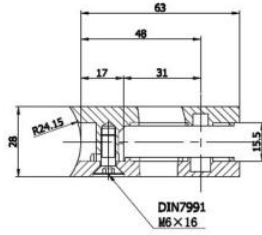
**0527.483.316**  
90 Degree Baluster Bracket (45mm Off-Set)  
316 Grade Satin / Mirror



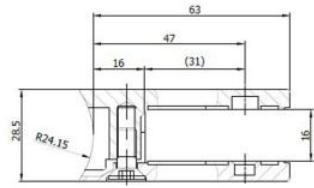
**48-WALL-BRACKET-316**  
316 Grade Satin Finish  
(42mm Off-Set)



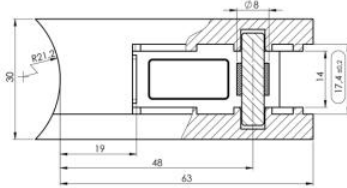
**48-WND1012**  
48.3mm  
316 Grade Satin Finish  
(29mm Off-Set)



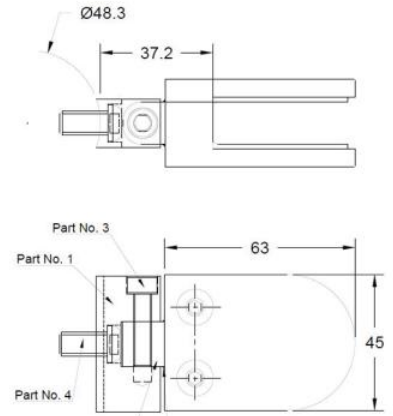
**KLH10R-48.3**  
D Shape Glass Clamp  
304 / 316  
Satin / Mirror



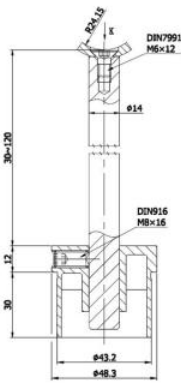
**KLH13.52-15MM-48.3**  
D Shape Glass Clamp  
316  
Satin / Mirror



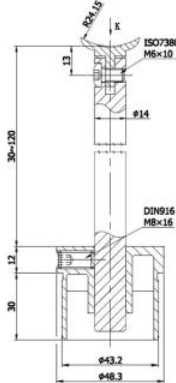
**KLH10R-48.3-SAFETY**  
D Shape Glass Clamp + Safety Plate  
316  
Satin



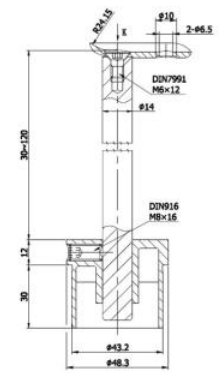
**KLH10R-48.3-ADJ**  
D Shape Adjustable Glass Clamp  
316 Satin  
(Also Available 42.4mm & Flat)



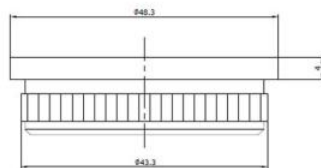
**48-HH1005-ADJ**  
Adjustable Bung, Stem, & Saddle  
316 Grade Satin



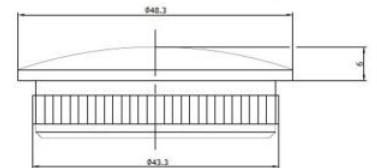
**48-HH1008-ADJ**  
Adj Bung, Adj Stem, & Saddle  
316 Grade Satin



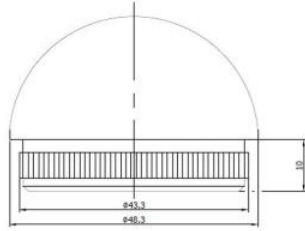
**48-HH1005-90D-ADJ**  
Adjustable Bung, Stem, & 90D Saddle  
316 Grade Satin



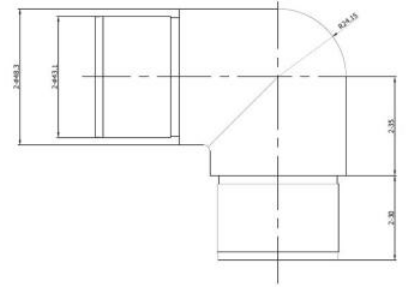
**48-EK1002**  
Flat End Cap  
316 Satin / Mirror



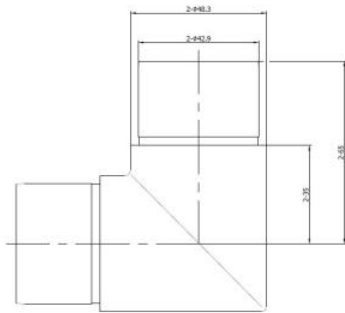
**48-EK1010**  
Convex End Cap  
316 Satin / Mirror



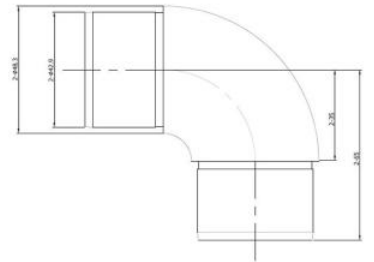
48-EK1018  
Dome End Cap  
316 Satin / Mirror



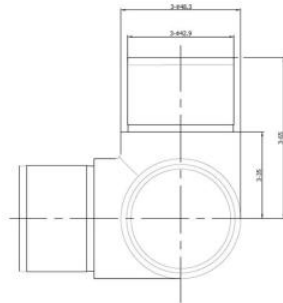
48-RV1003  
Mid-Radius Bend  
316 Satin / Mirror



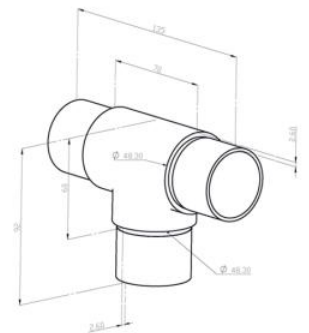
48-RV1005  
Sharp Bend  
316 Satin / Mirror



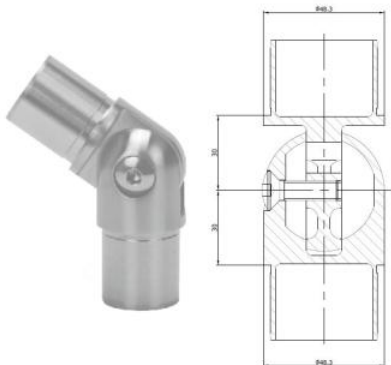
48-RV1008  
Swept Bend  
316 Satin



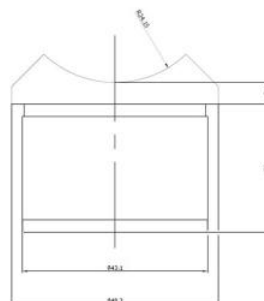
48-EVB1009  
3-Way Elbow  
316 Satin / Mirror



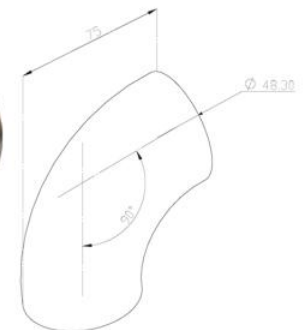
0206.486.316  
3-Way Connector  
316 Satin / Mirror



48-RV1004-ADJ  
Adjustable Elbow  
316 Satin / Mirror



48-RA1006  
Adaptor  
316 Satin / Mirror



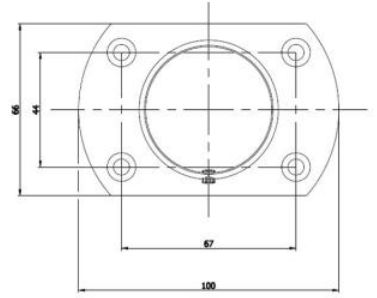
48-ROB  
Weldable Elbow  
316 Satin



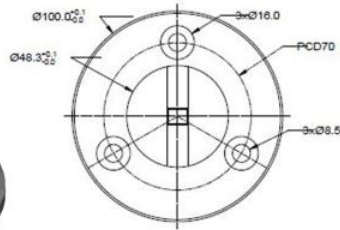
**48-WALLPLATE**  
316 Satin / Mirror



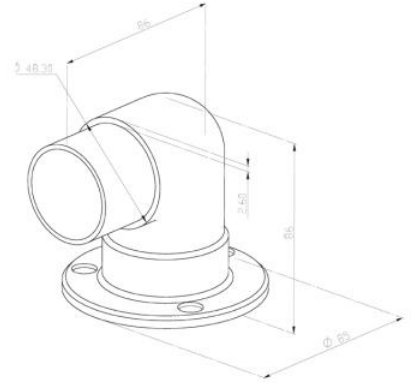
**48-WALLPLATE-OBLONG**  
316 Satin / Mirror



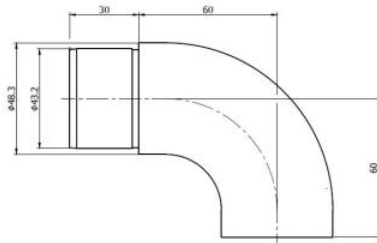
**WALLPLATE-ADJ-48.3**  
Adjustable Wallplate  
316 Satin



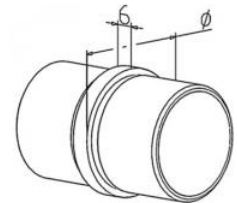
**48-RV1003-WALLPLATE**  
Wallplate and 90 Degree Bend  
316 Satin



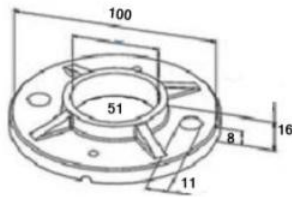
**48-RV1018-316**  
End Scroll  
316 Satin / Mirror



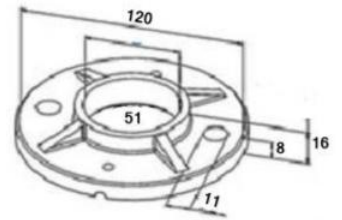
**48-RV1001-316**  
Straight Connector  
316 Satin / Mirror



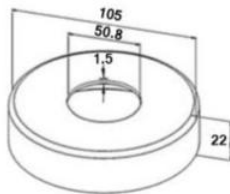
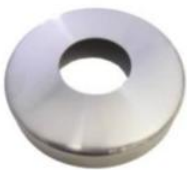
\*Test Reports Available Upon Request



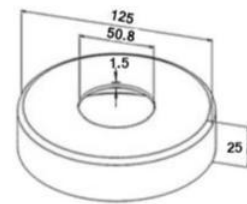
RON1012-50.8 (100mm)  
Raw Weldable Base Plate  
316



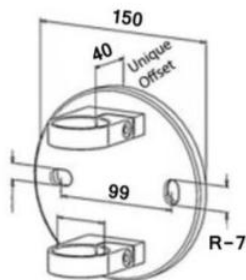
RON1011-50.8 (120mm)  
Raw Weldable Base Plate  
316



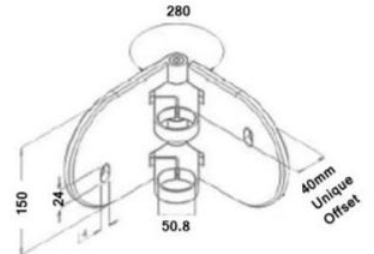
ROS1001-50.8 (105mm)  
Cover Plate  
316 Satin / Mirror



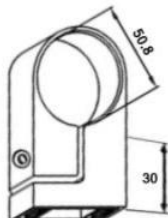
ROS1002-50.8 (125mm)  
Cover Plate  
316 Satin / Mirror



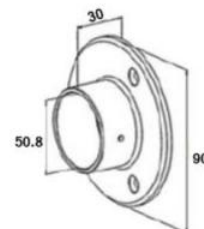
WND1001-50.8  
40mm Off-Set Side Fix Bracket  
316 Satin



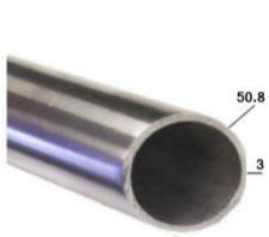
WND1008-50.8  
40mm Off-Set Internal / External Corner  
316 Satin



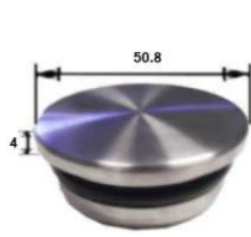
WND1001-CLIP  
(Off-Set Different to Complete Unit)  
316 Satin



WALLPLATE-50.8  
Wall Plate 3 x M6 Fixing Holes  
316 Satin / Mirror



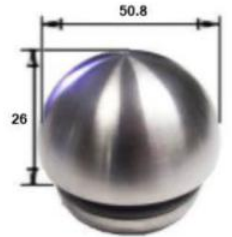
RO1001-50.8  
3mm Wall Tube  
316 Satin / 316 Mirror



EK1002-50.8  
Flat End Cap  
316 Satin



EK1010K-50.8  
Convex End Cap  
316 Satin



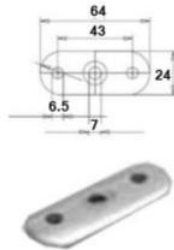
EK1018-5.8  
Dome End Cap  
316 Satin



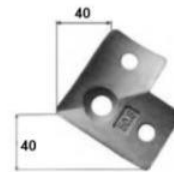
HH1005-50.8  
Straight Complete Bung,  
Stem, & Saddle  
316 Satin



HH1008-50.8  
Adjustable Complete Bung,  
Stem, & Saddle  
316 Satin



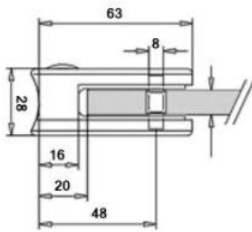
HH1001K-H-50.8  
Straight Saddle  
316 Satin



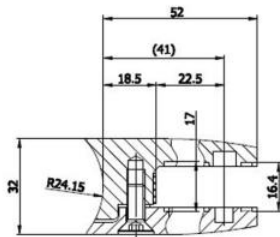
HH1001K-Z-50.8  
90 Degree Saddle  
316 Satin



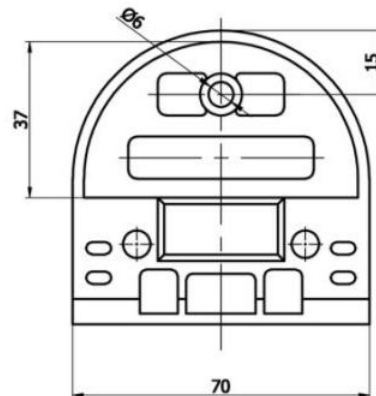
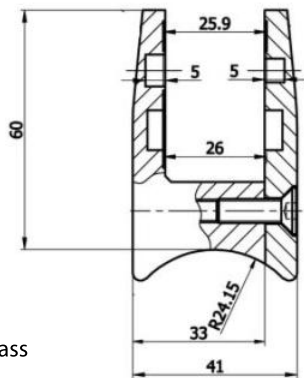
KLH10R-50.8  
50.8mm D Shaped Glass Clamp  
10mm Glass (Rubbers Also Available for 6, 8, 11.52, & 12mm)  
304 Satin / 316 Satin / 316 Mirror

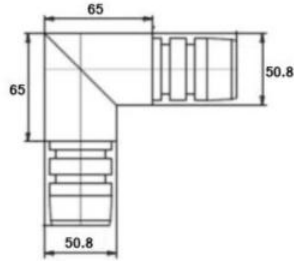


KLH12R-50.8-316  
52 x 52mm Square Glass Clamp  
10 / 12mm Glass  
316 Satin

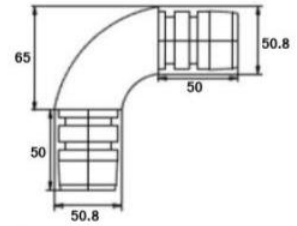


KLH21.5MM-R-316  
Suitable for 15, 17.52, 19, and 21.52mm Glass  
316 Satin / Mirror

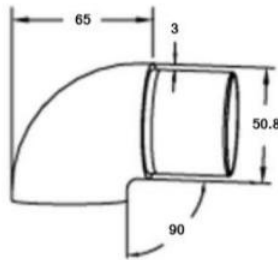




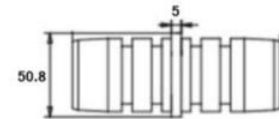
RV1005-50.8  
90 Degree Sharp Bend  
316 Satin



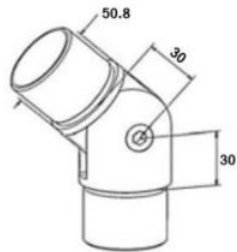
RV1008-50.8  
90 Degree Full Radius Bend  
316 Satin



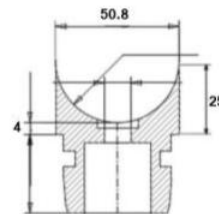
RV1018-50.8  
Blank End Scroll  
316 Satin



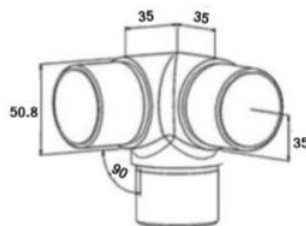
RV1001-50.8  
Straight Tube Connector  
316 Satin



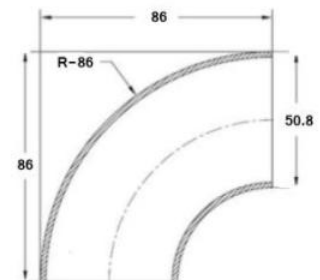
RV1004K-ADJUST-50.8  
Adjustable Angle Changer  
316 Satin



RA1006-50.8  
Adaptor (Aluminium Insert)  
316 Satin

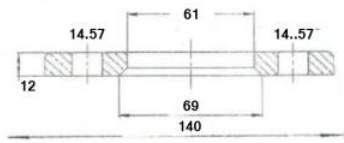


EVB1009K-50.8  
3 Way Corner Connector  
316 Satin

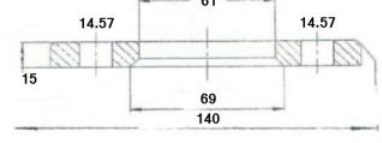


ROB50.8K  
Weldable Elbow (2mm Wall)  
316 Satin

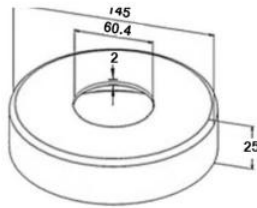
\*Test Reports Available Upon Request



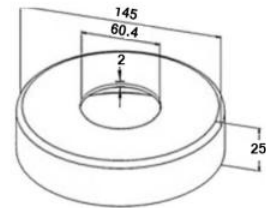
RON140-12  
Weldable Base Plate  
316



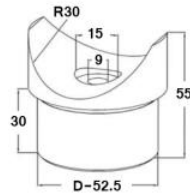
RON140-15  
Weldable Base Plate  
316



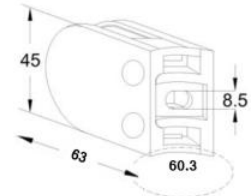
ROS140-61  
Satin Cover Plate  
316



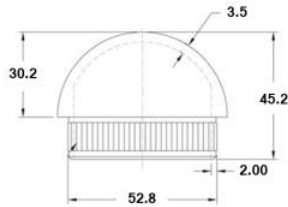
ROS140-61-MIRROR  
Mirror Polished Cover Plate  
316



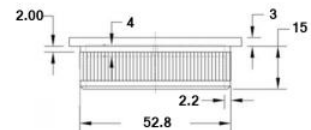
RA1006-60.3-316  
Top Rail Insert  
316 Satin



KLH10D-60.3  
Glass Clamp + 10mm Rubber Inserts  
(Rubbers Also Available for 6/8/12mm Glass)  
316 Satin

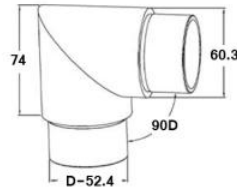


W270-4MM  
Dome End Cap  
316 Satin



W268-4MM  
Flat End Cap  
316 Satin

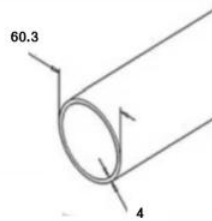




RV1005-60.3-316  
90 Degree Sharp Bend  
316 Satin



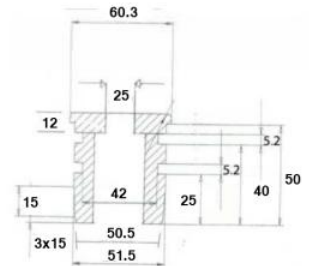
RV1001-60.3-316  
Straight Tube Connector  
316 Satin



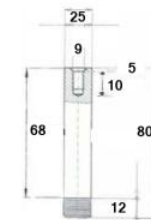
RO1001-60.3X4MM  
316 Satin (320 Grit)



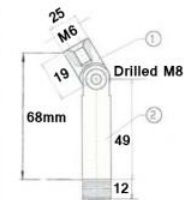
HH1060-60.3-316  
Top Insert 25mm Threaded Hole  
316 Satin



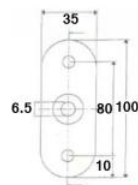
HH1060-60.3-M8  
Top Insert M8 Threaded Hole  
316 Satin



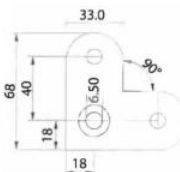
HH1002H-25-60.3  
Fixed Stem  
316 Satin



GLS1002K-60.3-316  
Stem + Swivel Neck



HH1001K-60.3-316  
Straight Saddle  
316 Satin



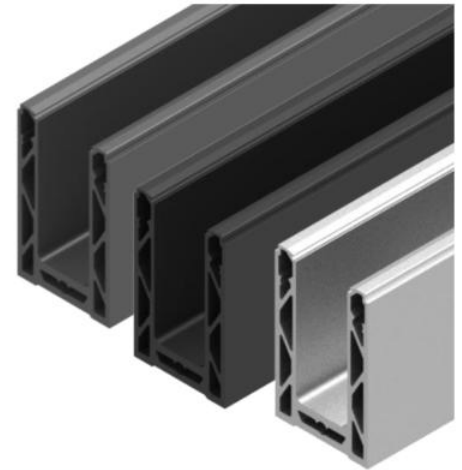
HH1001K-Z-60.3-316  
90 Degree Corner Saddle  
316 Satin



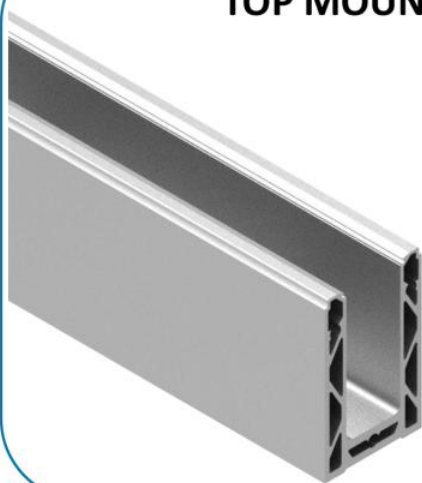
# Aluminum Glass Railing System

Suitable For 12 - 21.52mm Glass  
Available in Satin, Black, and Anthracite Grey

Please Request Full Marketing PDF for Dimensional Drawings



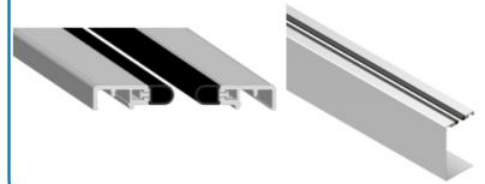
## TOP MOUNT



### GASKETS & WEDGES



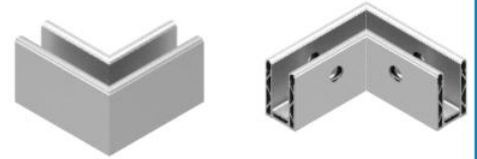
### TOP COVERS / CLADDINGS



### END CAP



### CORNERS



## SIDE MOUNT



### CONNECTING PINS

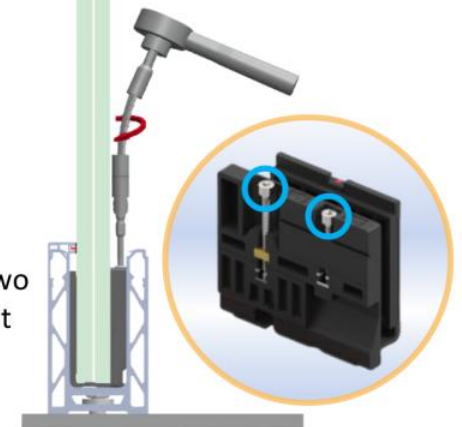


### Flexible bit (optional)



Tilt - Adjustable

$\pm 1^\circ$



★ Complete System

★ Easy Installation




Glass alignment is tilt adjustable by screwing the two fixings on the wedge, without removing glass.



### Gaskets & Wedges Set to Glass

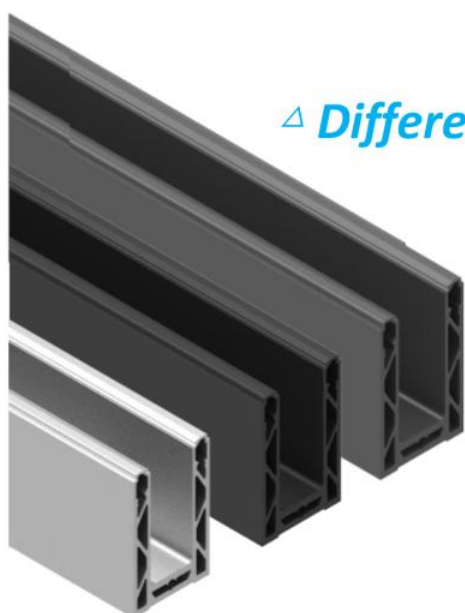
Glass (mm)	Adj. Wedges	Colour - Glass	Cover + Gasket (Front)	Cover + Gasket (Back)
12 / 12.76 / 13.52		Yellow		
15		White		
16.76 / 17.52		Red		
19		Orange		
20.76 / 21.52		Green		

### Recommended Fixings

Application	Type of Fixing	Size of Fixing	Sample Image
Concrete	Hexagon Head Expansion Screws or Hexagon Head w/ Nut (Non-Expansion)	M8 x 100 (Expansion) or M12 x 100	
Wood	Hexagon Head Wood Screws	ST12 x 100	
Metal Frame	DIN 933 Hexagon Head Bolts	M12 x 100	

\* Size of fixing to be adjusted according to the actual application, please inquire your installer.

△ Different colours for your own choice



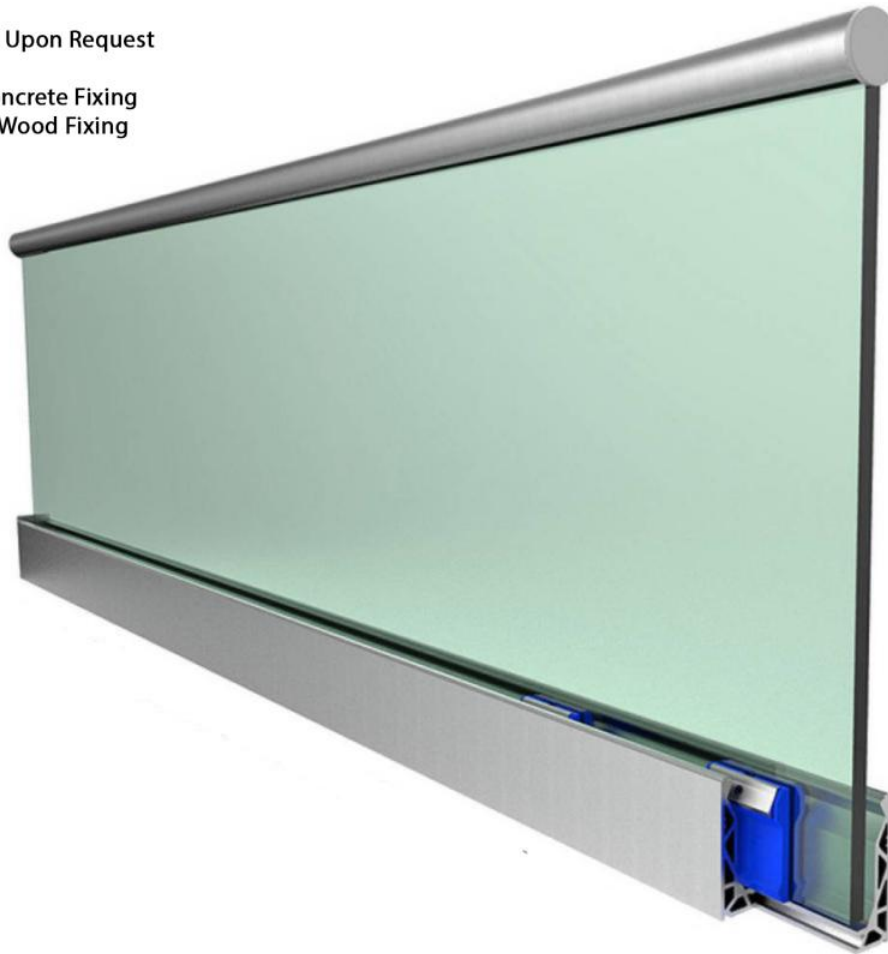
- ✓ Satin
- ✓ Black
- ✓ Anthracite

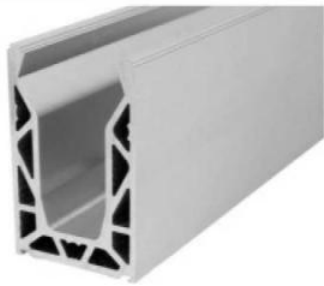


12 + 13.52mm Glass - 0.36kN/m  
15 + 17.52mm Glass - 0.74kN/m  
19 + 21.52mm Glass - 1.5kN/m

Test Reports Available Upon Request

Suitable for Steel & Concrete Fixing  
Please Enquire About Wood Fixing





**KT-Top-Floor-Channel**  
3 Metre Lengths - Price Per Metre  
Satin Anodised Aluminium

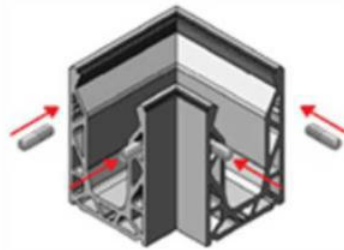


KT-12MMGLASS-KIT
KT-13.5MMGLASS-KIT
KT-15MMGLASS-KIT
KT-17.5MMGLASS-KIT
KT-19MMGLASS-KIT
KT-21.5MMGLASS-KIT

**KT-Glass-Kit**  
3 Metre Packs - Price Per Metre  
Wedges / Bolts / Bars / Rubber Seal



**KT-Bead-Strip**  
3 Metre Lengths - Price Per Metre  
Satin Anodised Aluminium



**KT-90D-CNR-TOP-CH**  
90 Degree Corner  
Supplied with Dowels



**KT-Spanner**  
(Recommended 2 Per Project)



**KT-Timber-Fixng-Kit**  
Timber Fixing Plates 15 Piece Set  
+ M12 Bolts for Base Fix  
(Sold in 3 Metre Packs)



**KT-Dowel-Connect**  
(Pack of 2)

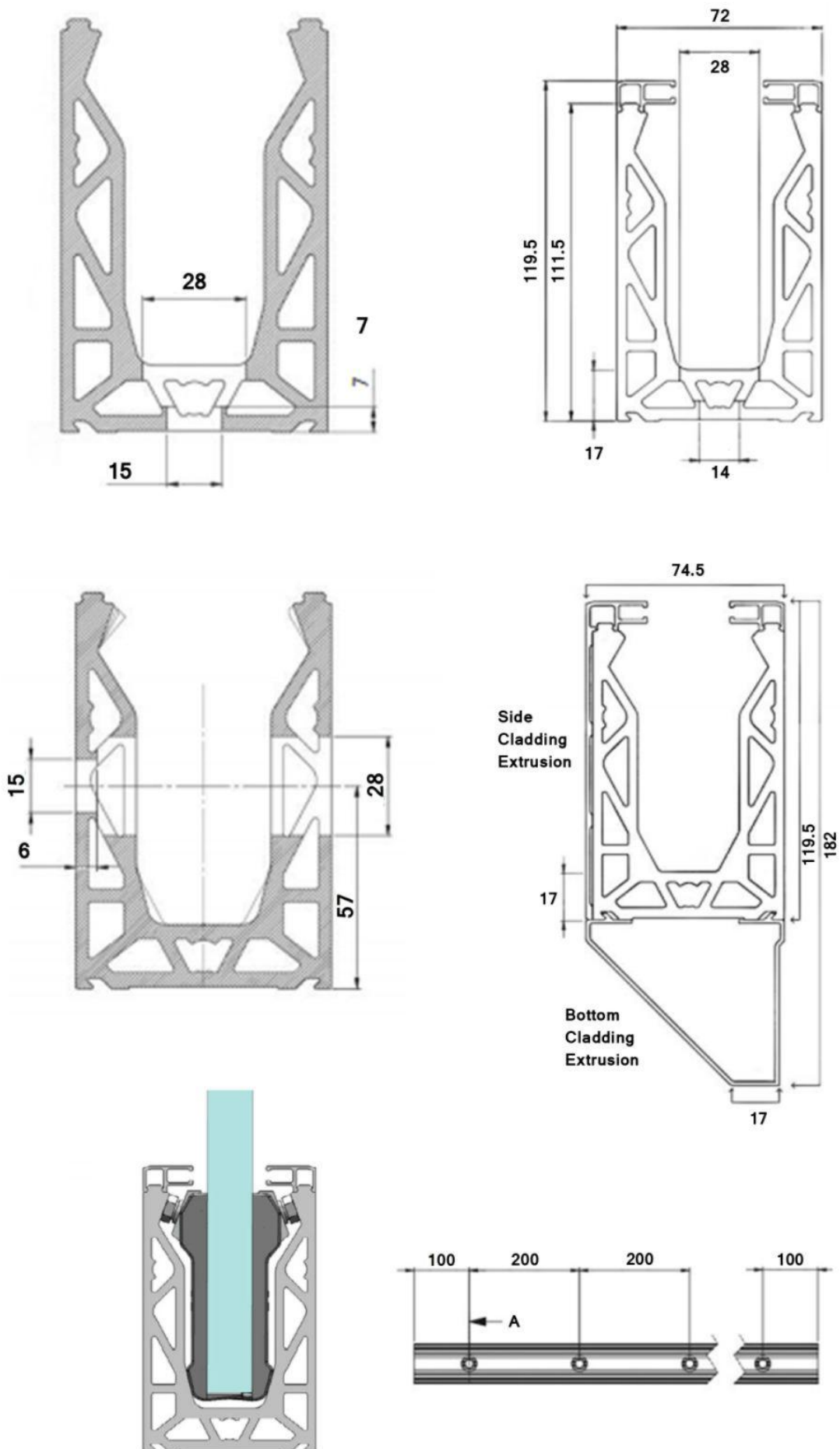


**KT-Drainage-Block**



**KT-End-Cap-Push-Fit**  
4mm Thick  
Push Fit (with dowels)

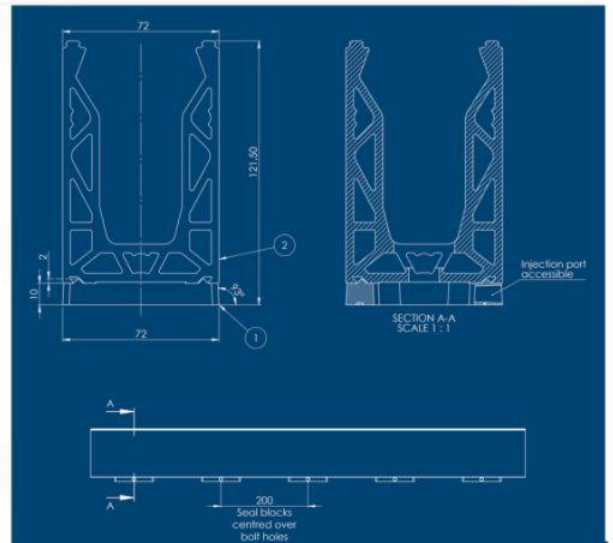
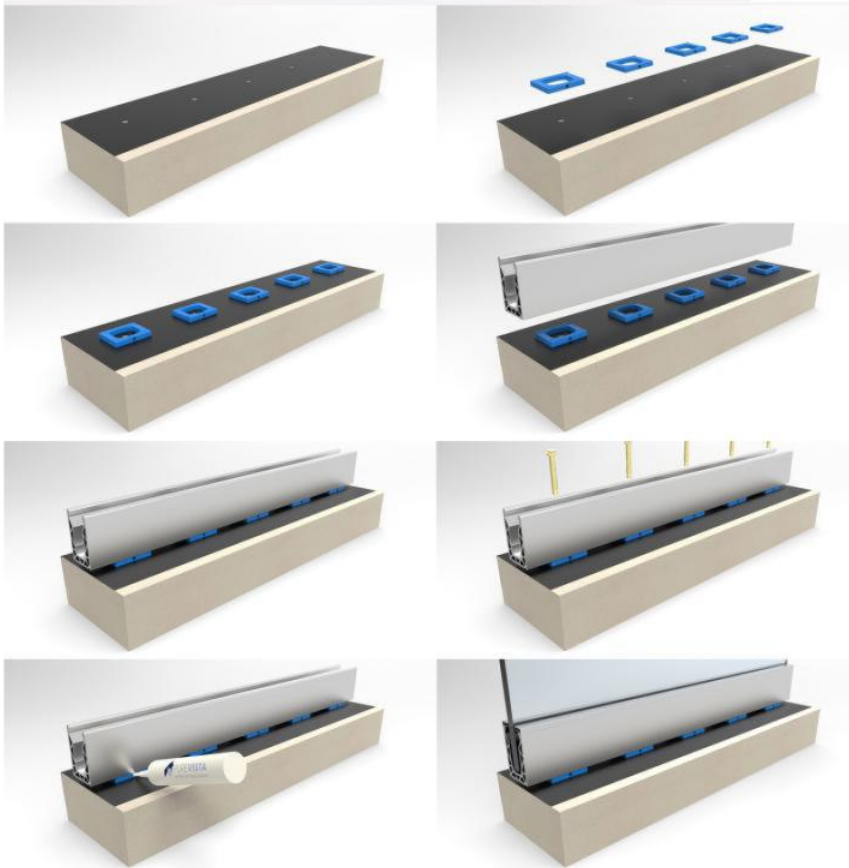




**KT-Bal-Seal-Kit**

\*Includes 15 x Balcony Seal Drainage Blocks + 2 x Tubes of Sealant

This is a revolutionary product that provides a solution to both water drainage and waterproofing on a balcony installation. It comprises of drain blocks that sit underneath the balustrade channel. Notches on the top side of the drain blocks locate into the rebates of the channel, locking it into position before the system is bolt-fixed to the substrate through each drain block. The gaps between the drain block are your water drainage channels. The drain blocks are subsequently filled with sealant to create a fully waterproofed balustrade installation.



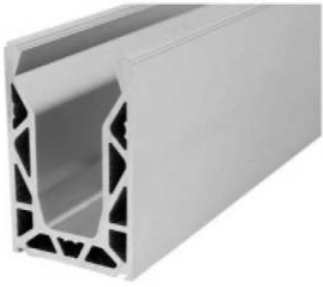


15 + 17.52mm Glass - 0.36kN/m  
19 + 21.52mm Glass - 0.74kN/m

Test Reports Available Upon Request

Suitable for Steel & Concrete Fixing





KT-Side-Fix-Channel  
3 Metre Lengths - Price Per Metre  
Anodised Aluminium



KT-12MMGLASS-KIT
KT-13.5MMGLASS-KIT
KT-15MMGLASS-KIT
KT-17.5MMGLASS-KIT
KT-19MMGLASS-KIT
KT-21.5MMGLASS-KIT

KT-Glass-Kit  
3 Metre Packs - Price Per Metre  
Wedges / Bolts / Bars / Rubber Seal



KT-Side-Cladding  
3 Metre Lengths - Price Per Metre  
Satin Anodised Aluminium



KT-Bottom-Cladding  
3 Metre Lengths - Price Per Metre  
Satin Anodised Aluminium



KT-Bead-Strip  
3 Metre Lengths - Price Per Metre  
Satin Anodised Aluminium



KT-Spanner  
(Recommended 2 Per Project)



KT-End-Cap-Side-L/H  
Satin Anodised Aluminium

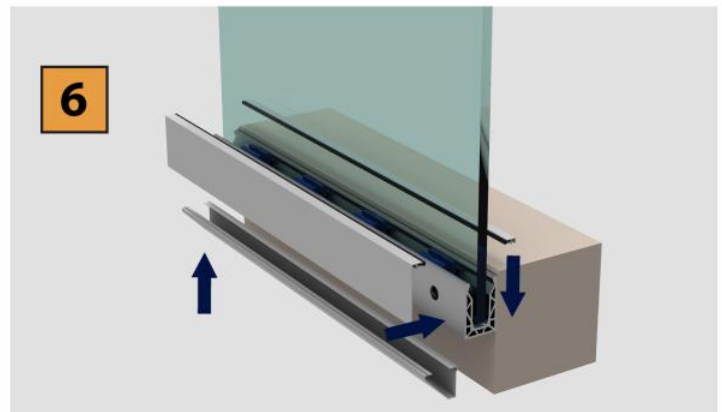
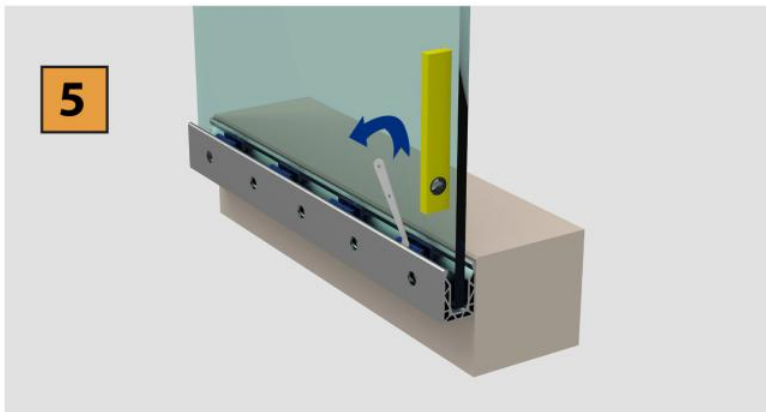
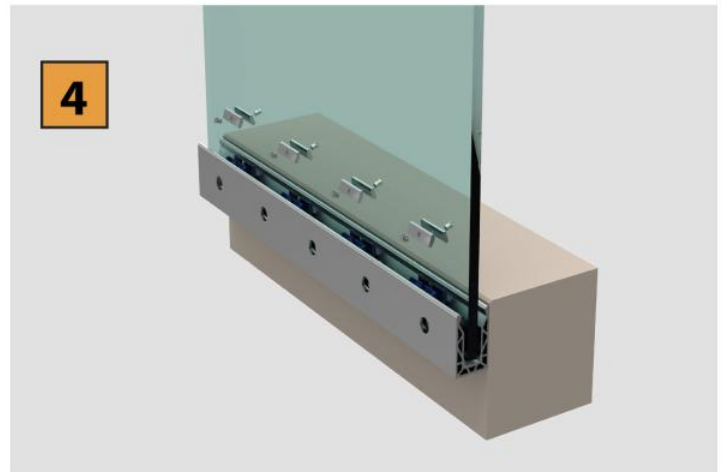
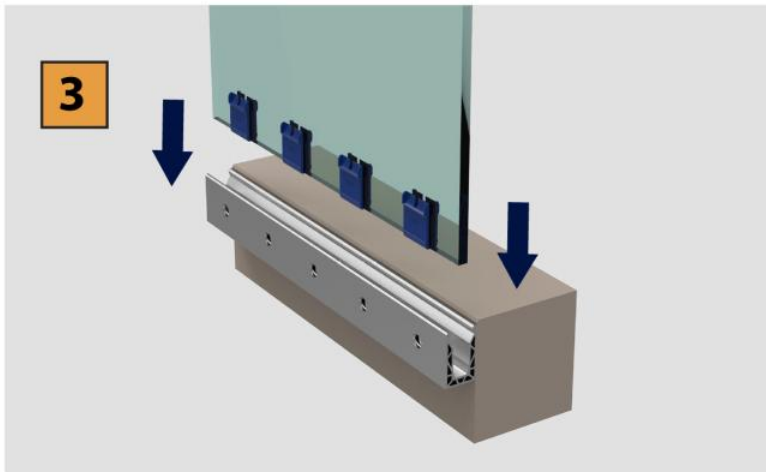
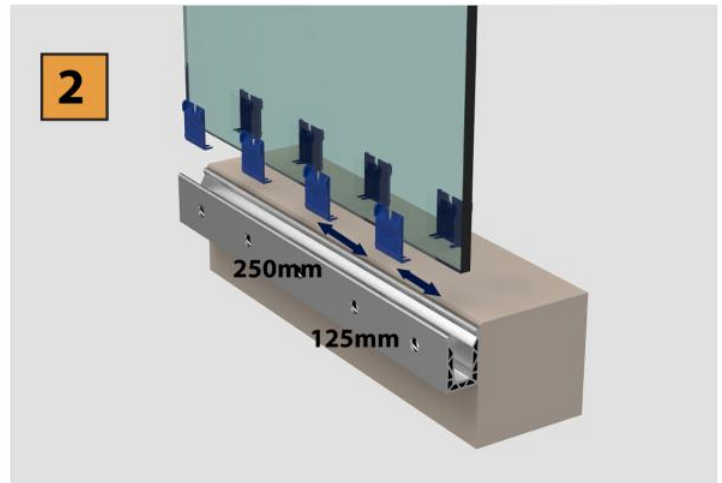
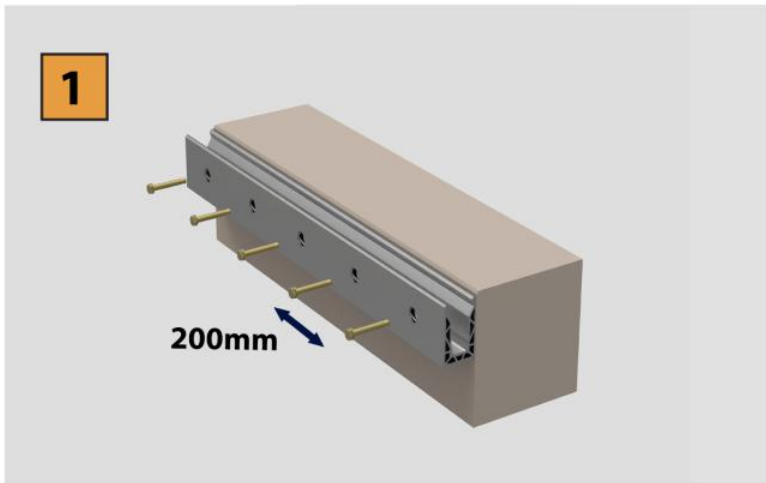
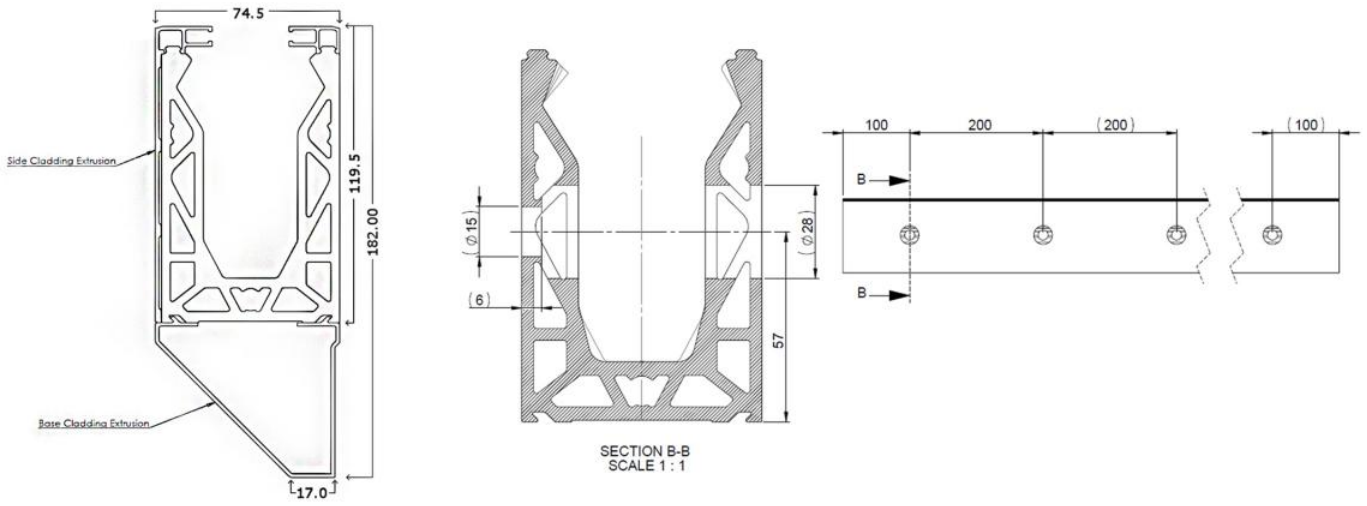


KT-End-Cap-Side-R/H  
Satin Anodised Aluminium



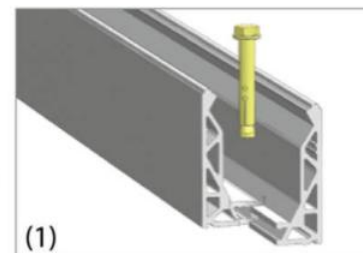
KT-Dowel-Connect  
(Pack of 2)





## Fitting Instructions

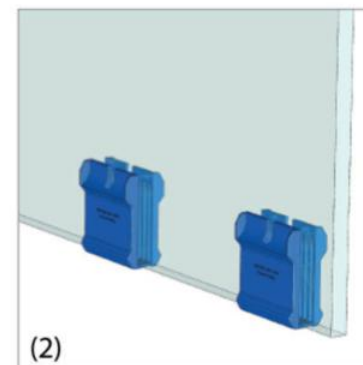
1. The aluminium base rail should be put into place with the holes marked onto the substrate for drilling, and the aluminium base rail should then be levelled and plumbed up with the use of shims. Once the shoe is plumb and level, the fixings should be tightened up to make the channel rigid. The fixings should be tightened in accordance with the manufactures.



(1)

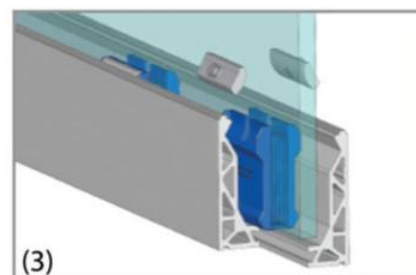
2. The glass slip clamp needs to be placed on the bottom of the glass. This requires lifting the glass off the floor sufficiently to squeeze these on or turning the glass upside down. The slip clamps require spacing according to the glass thickness these are as followed:-

- All glass types require 4 clamps per metre so number one should be in 125mm from the end of the glass and then 250mm thereafter.



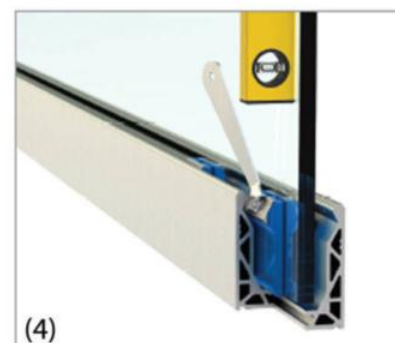
(2)

3. Once the glass is fitted into place, you now need to press the clamp bars into the top of each glass slip clamp. These need to be put in the right way for correct and proper fitment – this is shown in the image on the right.



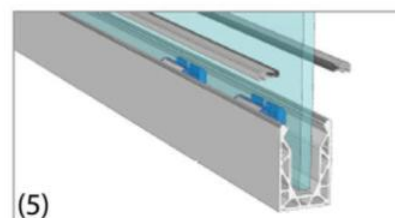
(3)

4. Once these are in you now need to place a spirit level on the glass to get the glass plumb. These bolts now need tightening into the channel equally to keep the same pressures on the glass. To achieve this initially make sure they are plumb and level at each end of the glass and tighten. Then tighten the intermediate clamp bars. Once the bolts have pinched they now require an additional quarter to lock the glass in place.



(4)

5. The gasket requires feeding into smaller channels supplied. Once these are flush with each end the strip now needs to be clipped onto the top channel. This can be done by either pressing the whole thing on evenly or working from one end which is recommended. Do not stretch the gasket.



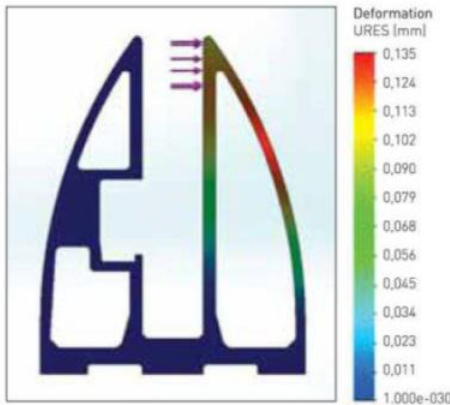
(5)

6. Once you are happy everything is in place and the job is complete you need to clean the glass and the channel. We recommend the use of any standard glass cleaner so long as it is not abrasive. We also recommend a soft sponge or cloth again to avoid any risk of scratching.



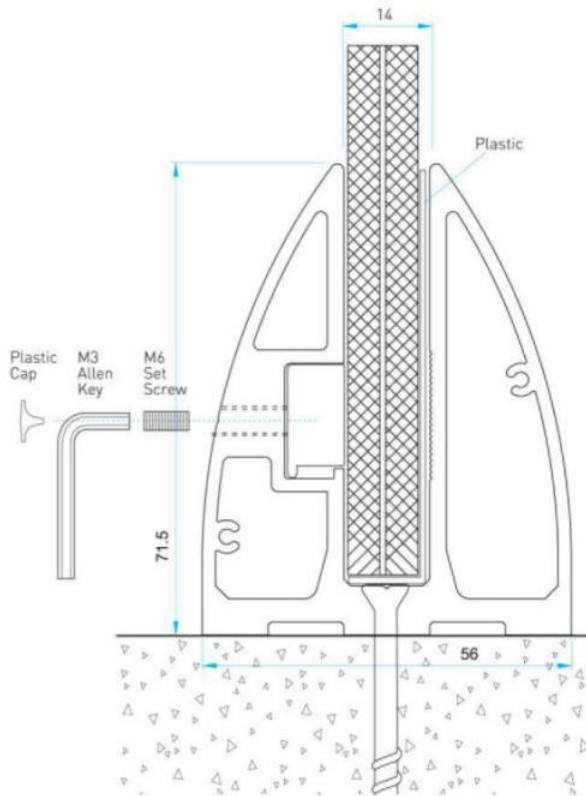
### KT-Parapet-Channel

Kensington's new parapet channel is the most economic of its type, which is suitable for 8, 10 and 12mm glass and is sold in 3m lengths. The glass is fixed with glass pressing a mechanism in the main profile. It provides aesthetic and sturdy results if it is supported with on-glass profiles connected to the wall.

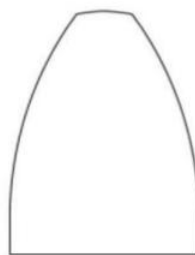


Alloy EN AW 6063  
Stress and relocation results on 1 m. base profile with 350 kg horizontal load to the highest surface of the profile.

Mass : 2.77916 kg  
Volume : 0.00102932 m<sup>3</sup>  
Density : 2700 kg/m<sup>3</sup>  
Weight : 27.2358 N



KT-Parapet-Channel  
3 Metre Lengths  
Aluminium



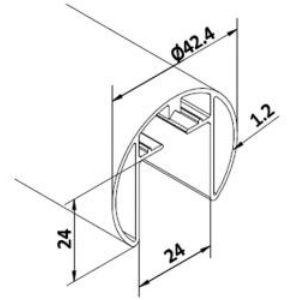
KT-Parapet-Ch-End  
End Cap to suit Parapet  
Channel (Aluminium)



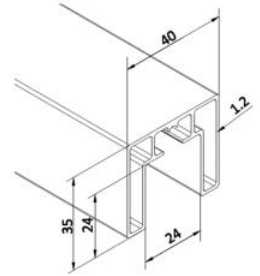
KT-Glass-Aligner  
Glass Aligner - 60mm Wide  
10mm Plate / Ali 6063 T5



KT-1002 (Satin Anodised, Black, Anthracite Grey)  
Sold in 3 Metre Lengths. 42.4mm Round



KT-1004 (Satin Anodised, Black, Anthracite Grey)  
Sold in 3 Metre Lengths. 35 x 40mm Square



KT-1009 Wall Plate  
42.4mm Round



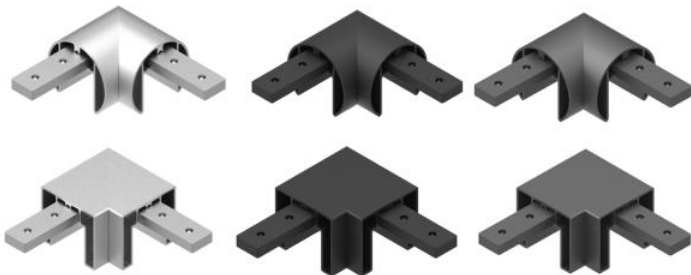
KT-1112 End Cap  
42.4mm Round



KT-4009 Wall Plate  
35 x 40mm Square



KT-4112 End Cap  
35 x 40mm Square



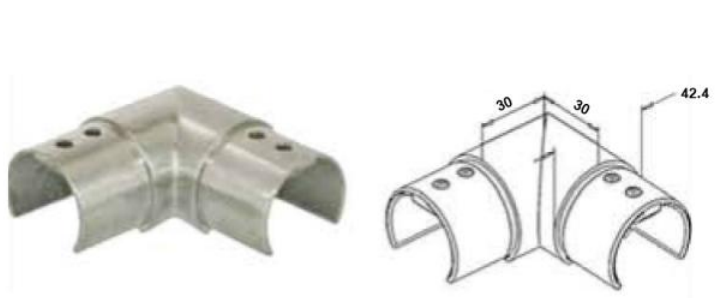
KT-1202 / KT-4202 (Corners)



Internal Connectors  
Suitable for Round & Square



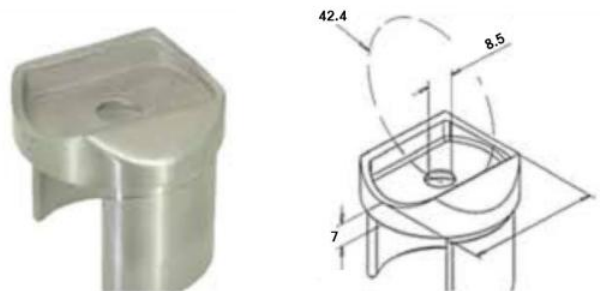
1201.425.316  
Slotted Tube Connector  
316 Satin / Mirror



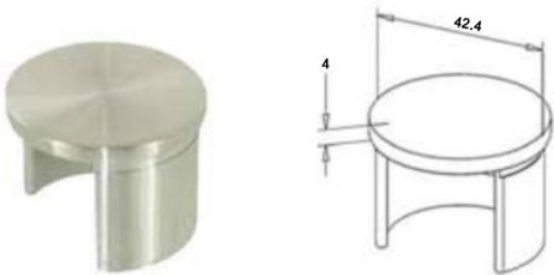
1202.425.316  
90 Degree Slotted Lateral Bend  
316 Satin / Mirror



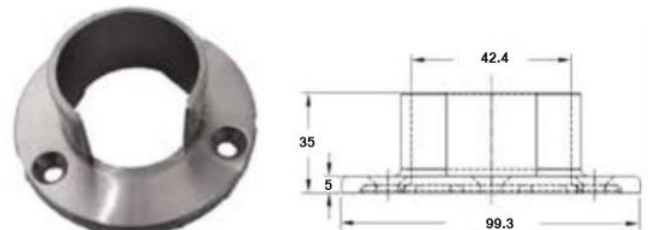
1203.425.316  
90 Degree Slotted Vertical Bend  
316 Satin



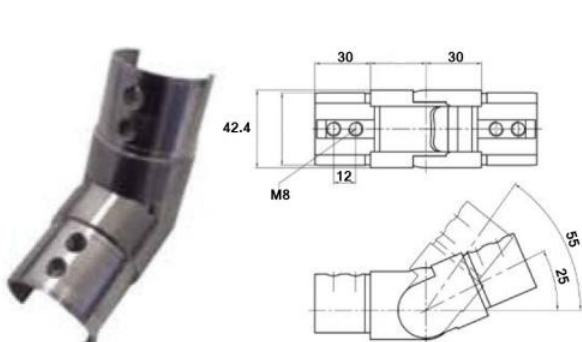
1502.424.316  
Slotted Adaptor  
316 Satin



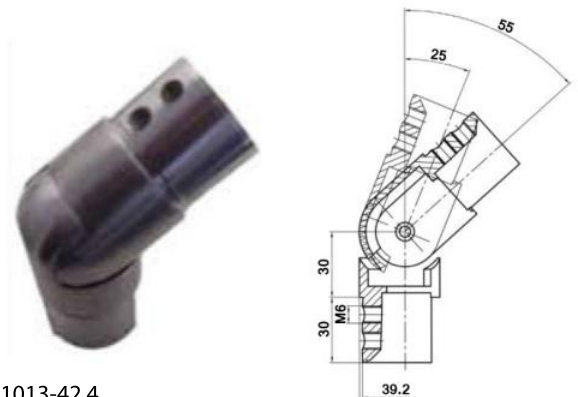
1112.426.316  
Slotted End Cap  
316 Satin / Mirror



RO1009-42.4  
Slotted Wall Plate  
316 Satin / 316 Mirror



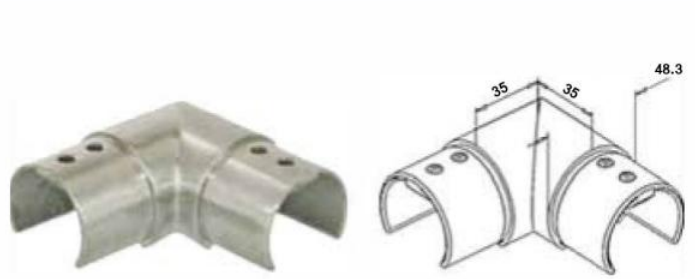
RO1012-42.4  
25-55 Degree Slotted Elbow (Upwards)  
316 Satin



RO1013-42.4  
25-55 Degree Slotted Elbow (Downwards)  
316 Satin



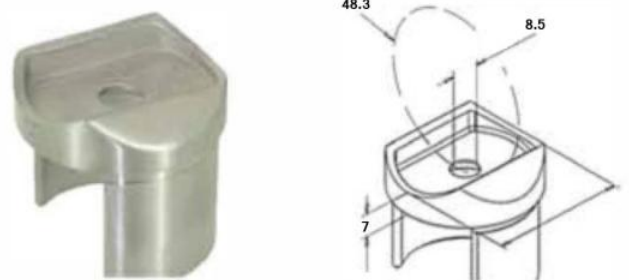
1201.485.316  
Slotted Tube Connector  
316 Satin / Mirror



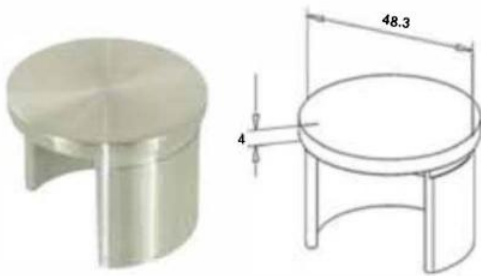
1202.485.316  
90 Degree Slotted Lateral Bend  
316 Satin / Mirror



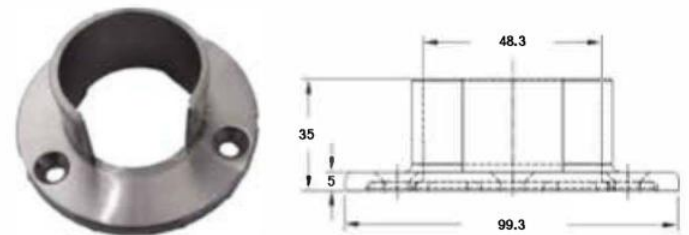
1203.485.316  
90 Degree Slotted Vertical Bend  
316 Satin



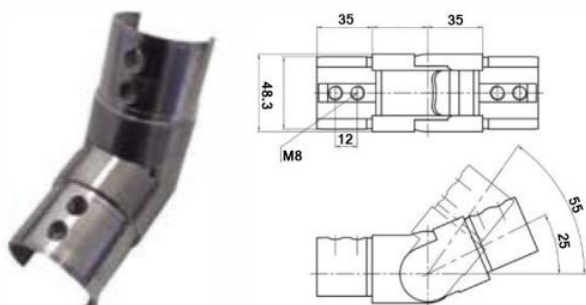
1503.483.316  
Slotted Adaptor  
316 Satin



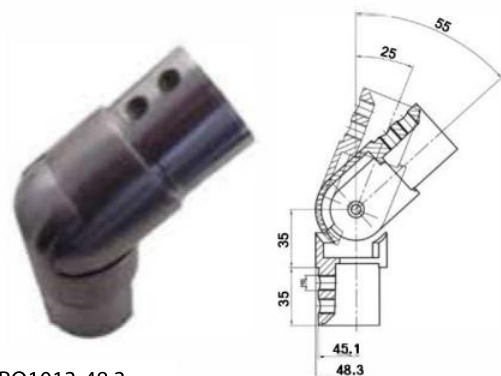
1112.486.316  
Slotted End Cap  
316 Satin / Mirror



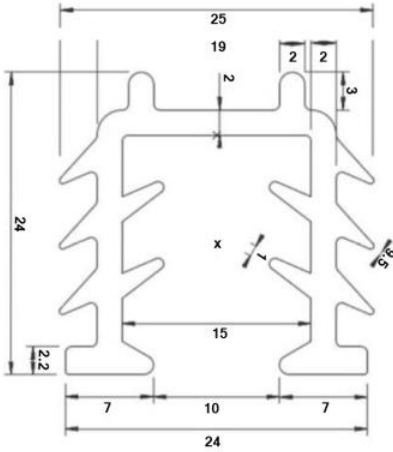
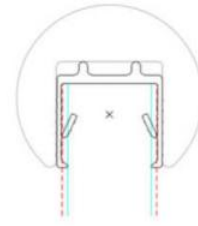
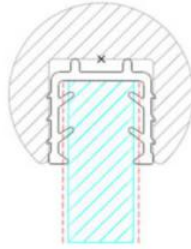
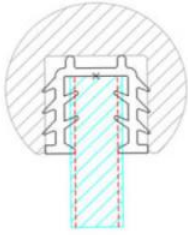
RO1009-48.3  
Slotted Wall Plate  
316 Satin / Mirror



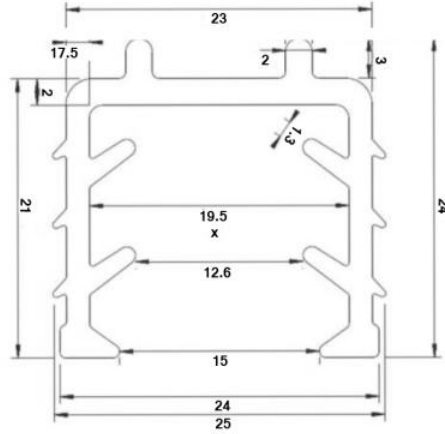
RO1012-48.3  
25-55 Degree Slotted Elbow (Upwards)  
316 Satin



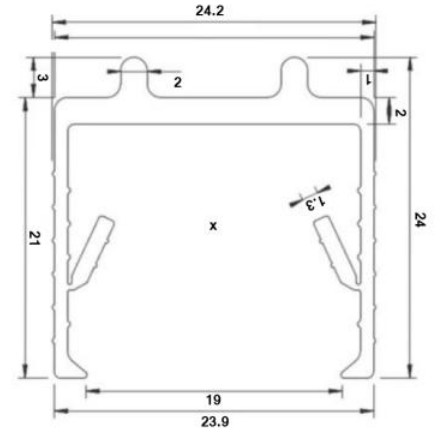
RO1013-48.3  
25-55 Degree Slotted Elbow (Downwards)  
316 Satin



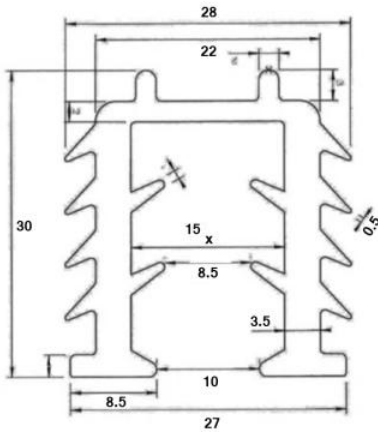
**RO42-12**  
For 10-12.75mm Glass



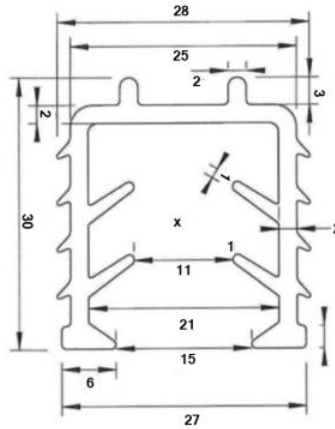
**RO42-15NEW**  
For 15-17.5mm Glass



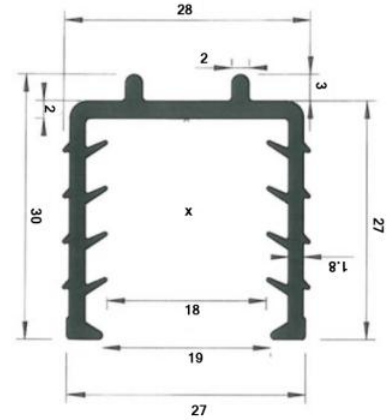
**RO42-19**  
For 19-21.5mm Glass



**RO48-12**  
For 10-12 mm Glass

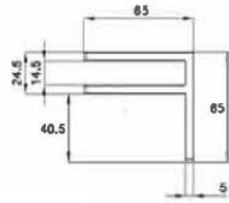


**RO48-15**  
For 15-17.5 mm Glass

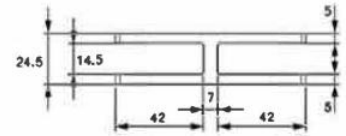


**RO48-19**  
For 19- 21.5 mm Glass

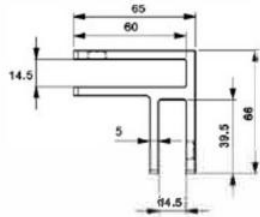




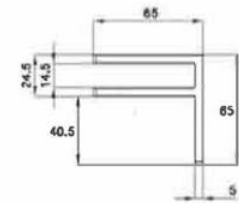
KLH10-STIFF-WALL  
10-12mm Wall to Glass Stiffener  
316 Satin



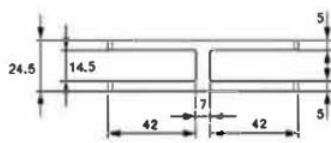
KLH10-STIFF-180  
10-12mm 180 Degree Stiffener  
316 Satin



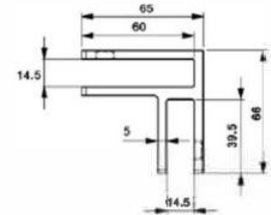
KLH10-STIFF-90  
10-12mm 90 Degree Glass Stiffener  
316 Satin



KLH10-STIFF-WALL  
10-12mm Wall to Glass Stiffener  
316 Black



KLH10-STIFF-180  
10-12mm 180 Degree Stiffener  
316 Black

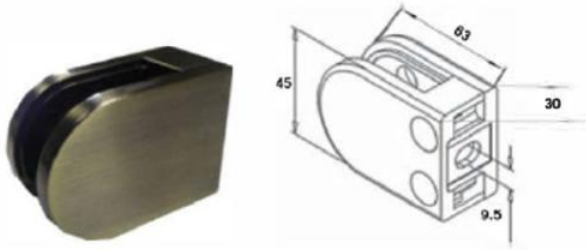


KLH10-STIFF-90  
10-12mm 90 Degree Glass Stiffener  
316 Black

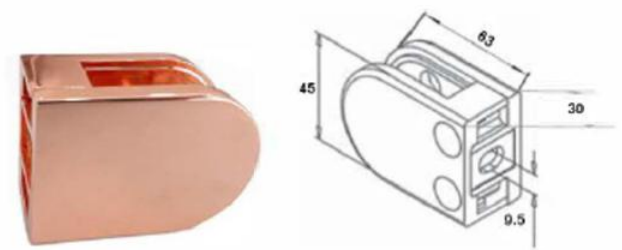


**\*\*BRAND NEW\*\***

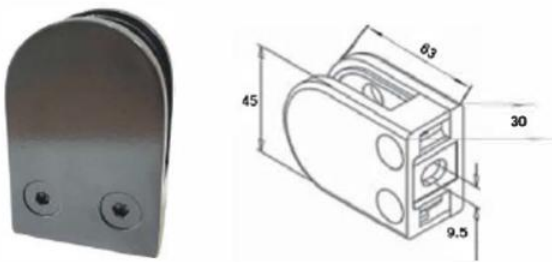
Large Stiffeners Now Available for 17.52mm - 21.52mm Glass  
316 Grade Satin Finish



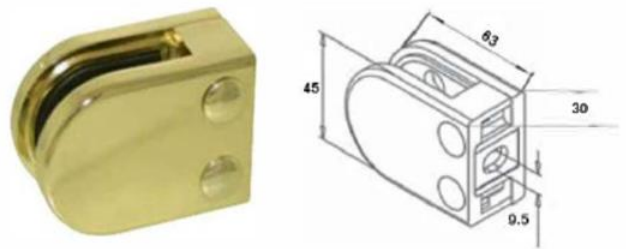
KLH10F-ANT-BRASS (Internal Only)  
Powder Coated - Antique Brass Glass Clamp  
10mm Glass (6/8/12mm Rubbers Also Available)



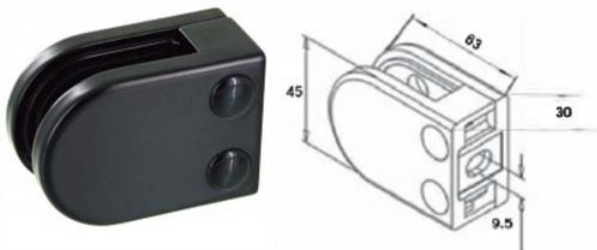
KLH10F-ROSE-GOLD (Internal Only)  
Powder Coated - Rose Gold Glass Clamp  
10mm Glass (6/8/12mm Rubbers Also Available)



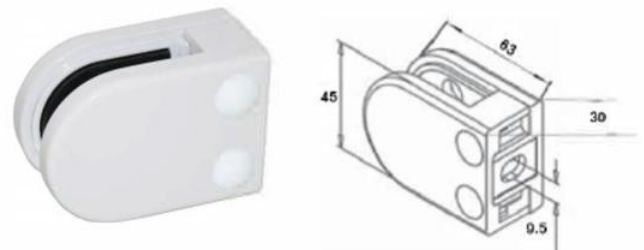
KLH10F-GREY-ANTHRACITE (Internal Only)  
Powder Coated - Anthracite Grey Glass Clamp  
10mm Glass (6/8/12mm Rubbers Also Available)



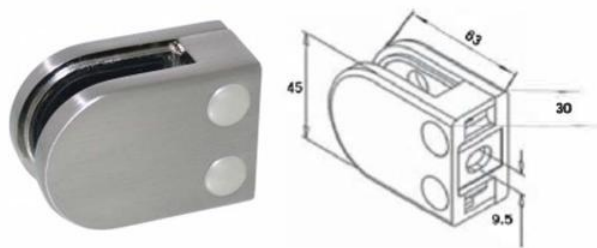
BR-10F (Internal Only)  
Powder Coated - Polished Brass Glass Clamp  
10mm Glass (6/8/12mm Rubbers Also Available)



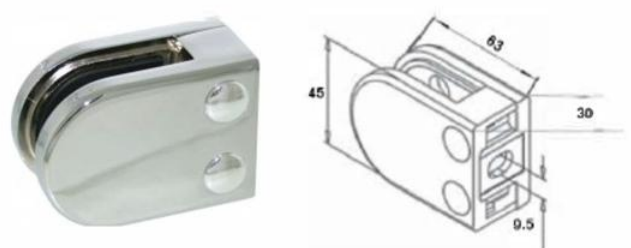
KLH10F-BLACK (316 Grade Stainless)  
Powder Coated - Black Glass Clamp  
10mm Glass (6/8/12mm Rubbers Also Available)



KLH10F-WHITE (Internal Only)  
Powder Coated - White Glass Clamp  
10mm Glass (6/8/12mm Rubbers Also Available)



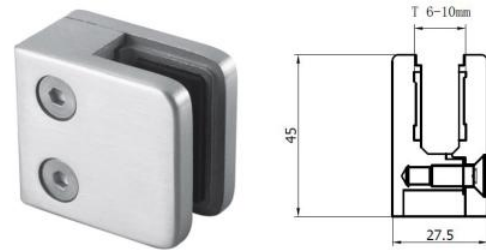
KLH10F-SATIN  
Satin Brushed Glass Clamp  
10mm Glass (6/8/12mm Rubbers Also Available)  
Zintec Satin / 304 Satin / 316 Satin



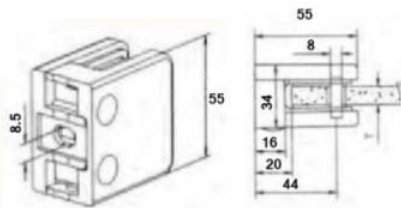
KLH10F-MIRROR  
Mirror Polished Glass Clamp  
10mm Glass (6/8/12mm Rubbers Also Available)  
Zamack Mirror / 316 Mirror



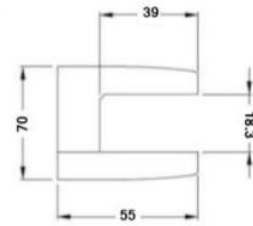
KLH10F-45/45  
Zintec Satin Effect / Zamack Mirror Effect  
45 x 45mm (No Pin)  
Internal Only



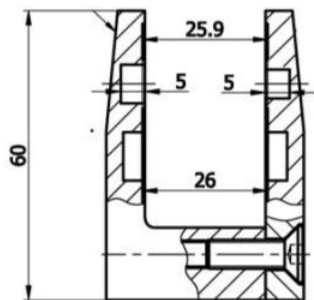
KLH10F-45/45  
Satin Finish - 10mm Glass (No Pin)  
304



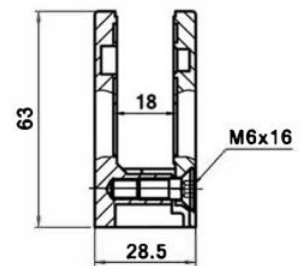
KLH12F  
Square 55 x 55mm Glass Clamp  
304 Satin / 316 Satin / 316 Mirror



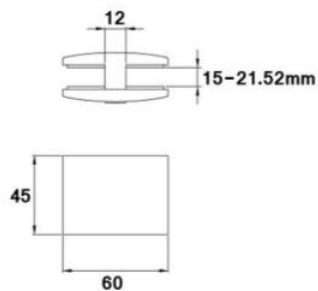
KLH13.52-17.52-FLAT  
(Also Available for 48.3mm Radius Back)  
13.52 or 17.52mm Glass (Rubbers Sold Separately)  
316 Mirror



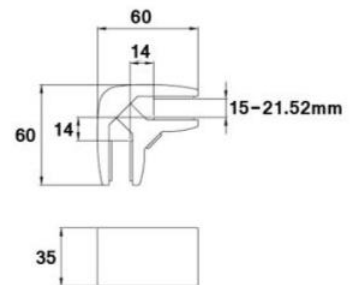
KLH21.52MM-F-316  
60 x 70mm D Shape Glass Clamp  
Suitable for 15, 17.52, 19, and 21.52mm Glass  
316 Satin / Mirror



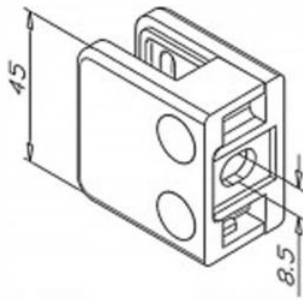
KLH13.52-15MM-FLAT-SATIN  
Suitable for 13.52mm and 15mm Glass  
316 Satin / Mirror



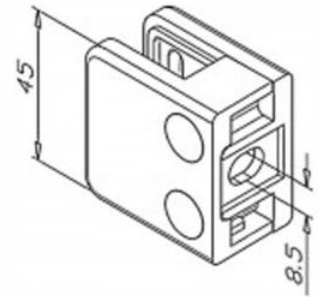
KLH21.5MM-180DEG  
15-21.52mm 180 Degree Glass Clamp  
316 Satin



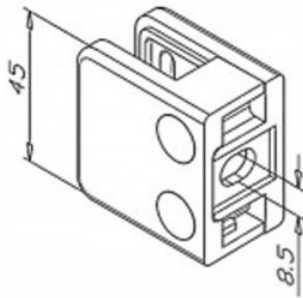
KLH21.5MM-90DEG  
15-21.52mm 90 Degree Glass Clamp  
316 Satin



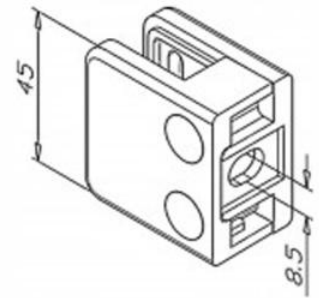
01.ZN.000.01.1000  
Satin Glass Clamp  
Suitable for 6-10mm  
45 x 45mm Square  
Internal Only



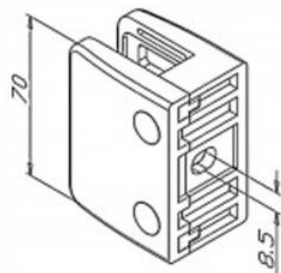
01.ZN.000.02.1000  
Mirror Polished Glass Clamp  
Suitable for 6-10mm  
45 x 45mm Square  
Internal Only



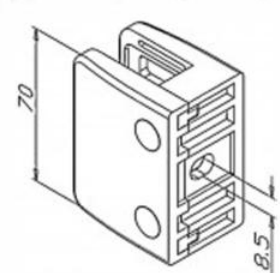
01.ZN.000.05.1000  
Black Glass Clamp  
Suitable for 6-10mm  
45 x 45mm Square  
Internal Only



01.ZN.000.03.1000  
Gold Glass Clamp  
Suitable for 6-10mm  
45 x 45mm Square  
Internal Only



04.ZN.000.01.1000  
Satin Glass Clamp  
Suitable for 12-17.52mm  
55 x 70mm Rectangular  
Internal Only

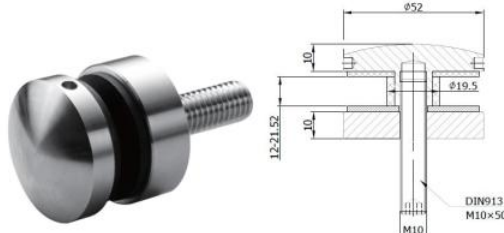


04.ZN.000.05.1000  
Black Glass Clamp  
Suitable for 12-17.52mm  
55 x 70mm Rectangular  
Internal Only



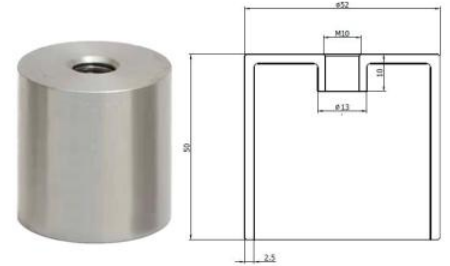
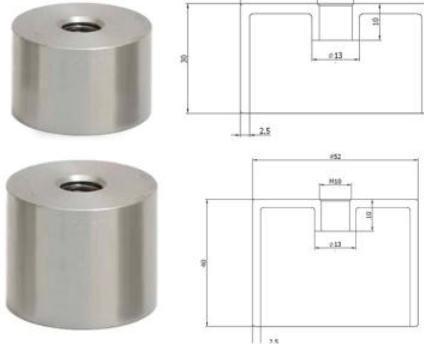
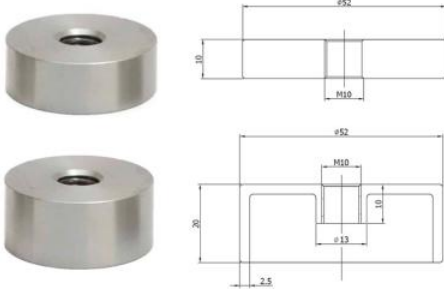
**JK-1014**  
Solid Threaded Body - Flat Head  
M10 Removable Thread  
304 Satin / 316 Satin / 316 Mirror

\*150mm Long M10 Threaded Bar Also Available Upon Request

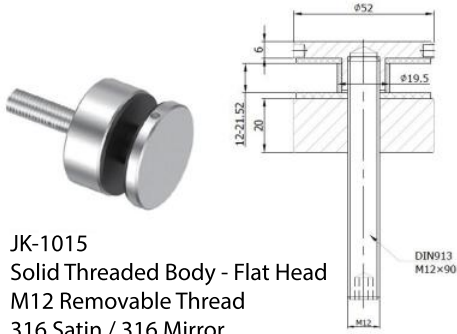


**JK-1017**  
Solid Threaded Body - Convex Head  
M10 Removable Thread  
304 Satin / 316 Satin / 316 Mirror

20, 30, 40, & 50mm  
Spacers Now Available  
for JK-1014 & JK-1017  
Satin & Mirror



JK-SPACER-10MM (Satin & Mirror)  
JK-SPACER-20MM (Satin & Mirror)  
JK-SPACER-30MM (Satin & Mirror)  
JK-SPACER-40MM (Satin & Mirror)  
JK-SPACER-50MM (Satin & Mirror)



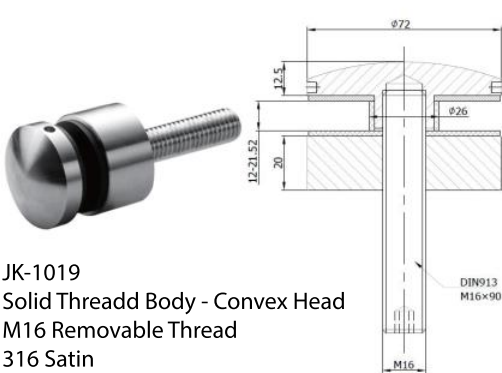
**JK-1015**  
Solid Threaded Body - Flat Head  
M12 Removable Thread  
316 Satin / 316 Mirror



**JK-1018**  
Solid Threaded Body - Convex Head  
M12 Removable Thread  
316 Satin / 316 Mirror



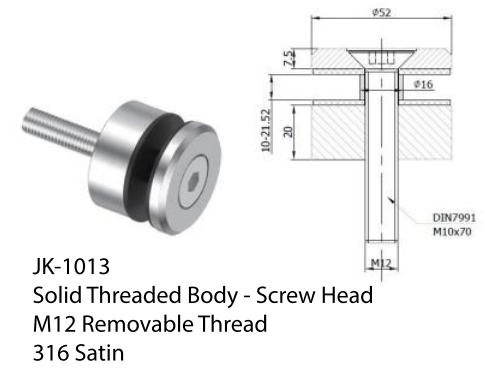
**JK-1016**  
Solid Threaded Body - Flat Head  
M16 Removable Thread  
316 Satin



**JK-1019**  
Solid Threaded Body - Convex Head  
M16 Removable Thread  
316 Satin



**JK-1012**  
Solid Threaded Body - Screw Head  
M10 Removable Thread  
316 Satin

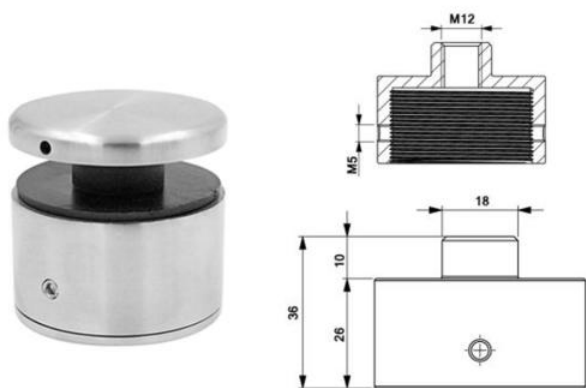


**JK-1013**  
Solid Threaded Body - Screw Head  
M12 Removable Thread  
316 Satin

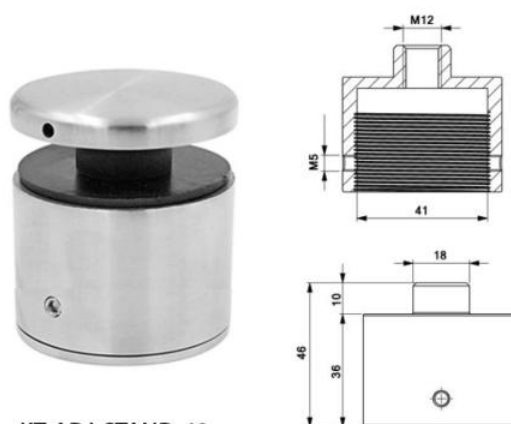
Spanners Available:  
JK-Spanner-52  
JK-Spanner-72  
JK-Spanner-Adjustable (30 - 72mm)  
JK-Flexible-Spanner (52mm)



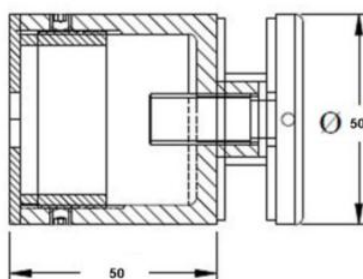
JK-Flexible-Spanner  
(Suitable for 52mm Wide JK's)



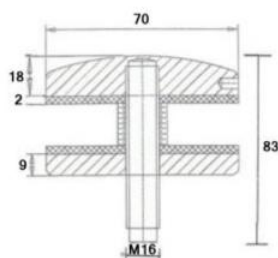
**KT-ADJ-STAND-30**  
Adjustable Stand-Off M12  
50 x 30mm  
316 Satin / 316 Mirror



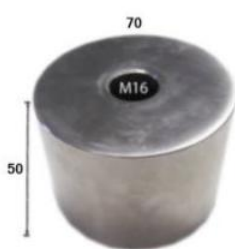
**KT-ADJ-STAND-40**  
Adjustable Stand-Off M12  
50 x 40mm  
316 Satin / 316 Mirror



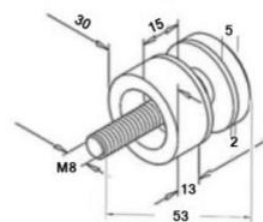
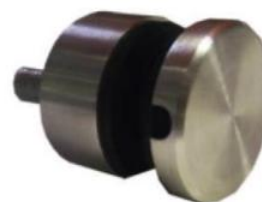
**KT-ADJ-STAND-50**  
Adjustable Stand-Off M12  
50 x 50mm  
316 Satin / 316 Mirror / 316 Black



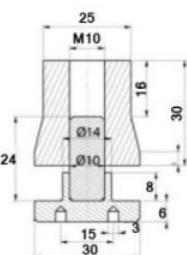
**GLH1070-M16**  
70mm Wide x M16 Removable Thread  
(9mm Back Plate)  
316 Satin



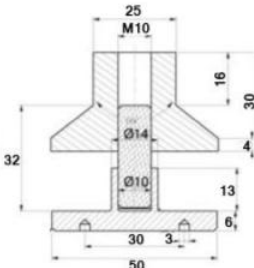
**GLH1070-M16-EXTENSION**  
70 x 50mm Extension Piece  
316 Satin



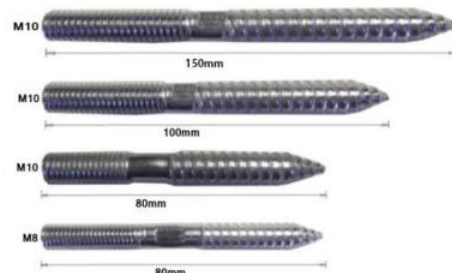
**GLH1014 / 0517.000.316**  
30 x 15mm Stand-Off - M8  
316 Satin



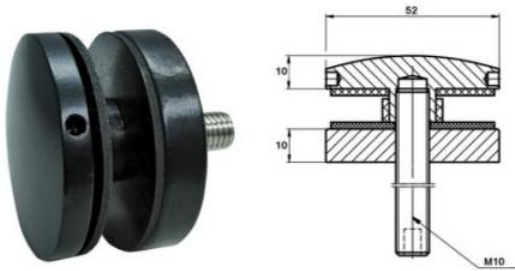
**GLH1013K-30**  
Solid Threaded Body - Pig Nose  
M10 Removable Thread  
316 Satin



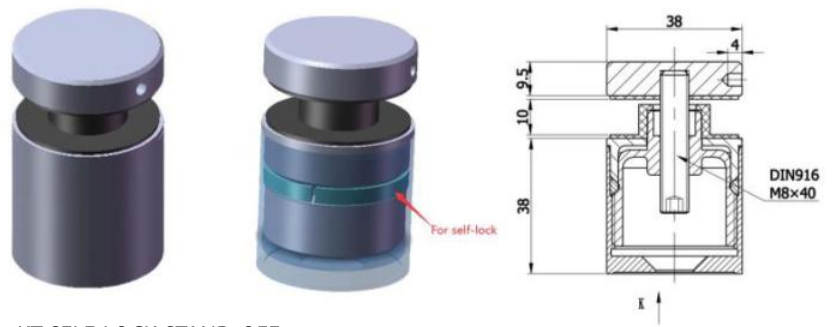
**GLH1013K-50**  
Solid Threaded Body - Pig Nose  
M10 Removable Thread  
316 Satin



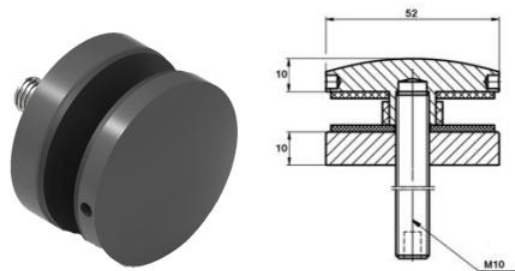
**M10-DOWEL-150**  
**M10-DOWEL-100**  
**M10-DOWEL-80**  
**M8-DOWEL-80**



JK-1017-Black  
316 Grade - Black Finish  
Stand-Off



KT-SELF-LOCK-STAND-OFF  
316 Grade Stainless Steel  
316 Satin & 316 Mirror  
38 x 38 - 44mm

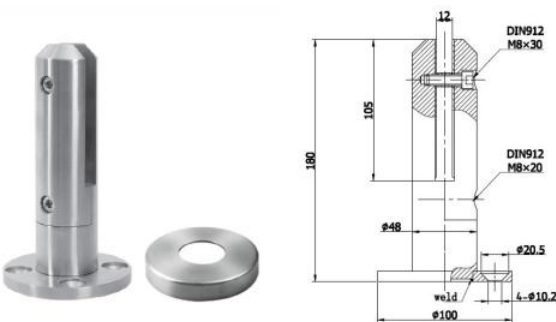


JK-1017-Anthracite  
316 Grade - Anthracite Grey  
Stand-Off

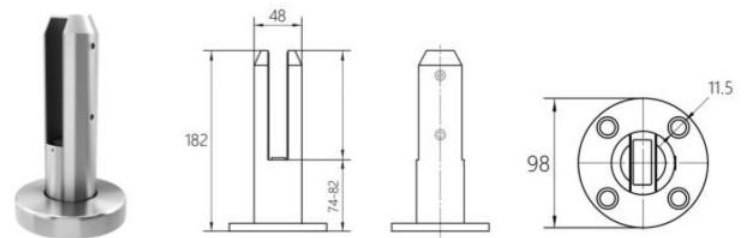


JK-1017-Antique  
316 Grade - Antique Bronze  
Stand-Off

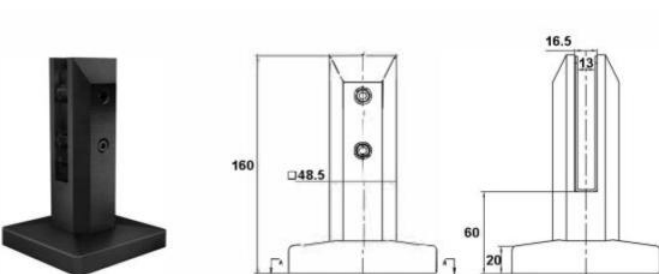
JK-1017-Gold  
316 Grade - Gold  
Stand-Off



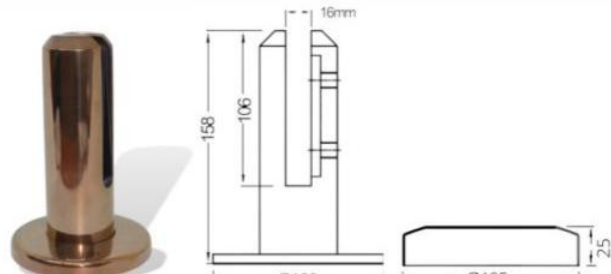
GLH1080  
Round Spigot & Base (Rubbers for 10 and 12mm)  
316 Satin



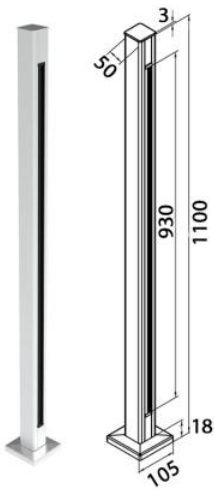
0397.000.225  
Stainless Steel Duplex 2205 Round Spigot  
Available in Satin & Black Finishes  
To Suit 13.52 - 17.52mm



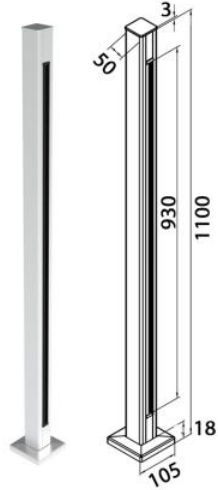
KT-Spigot-Black  
PVD Coated Black Spigot  
To Suit 10 - 12mm Glass



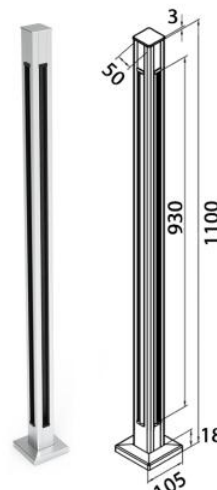
GLH1084-ROSE-GOLD  
To Suit 10-12mm Glass  
Round - 316 Grade Stainless Steel



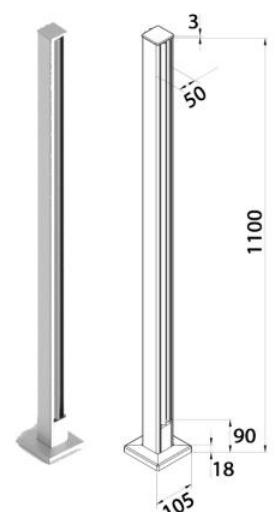
AP1001  
End Post



AP1002  
Mid Post



AP1003  
Corner Post



AP1006  
Adjustable Post



AP1004  
Handrail (Sold in 3 Metre Lengths)



AP-END-CAP  
Tube End Cap



AP1005  
Post End Cap



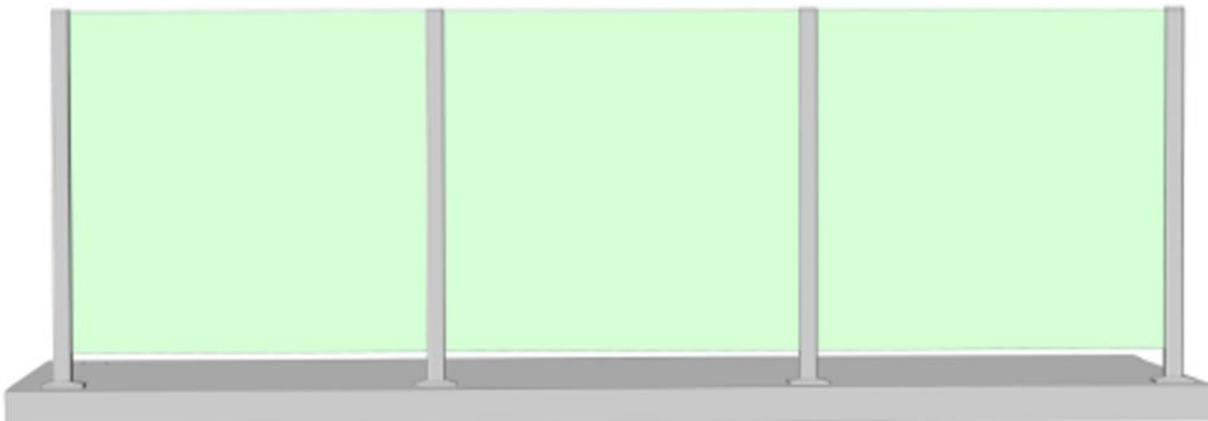
AP-INSTALLATION-TOOL

\*\*Wallplates + 90D Corners Also Available for Handrail

Suitable for: 10mm Glass (With Handrail) / 11.52mm Glass (Without Handrail / Frameless)

1.5kN/m

Available Colours: Satin Anodised / Black / Anthracite Grey





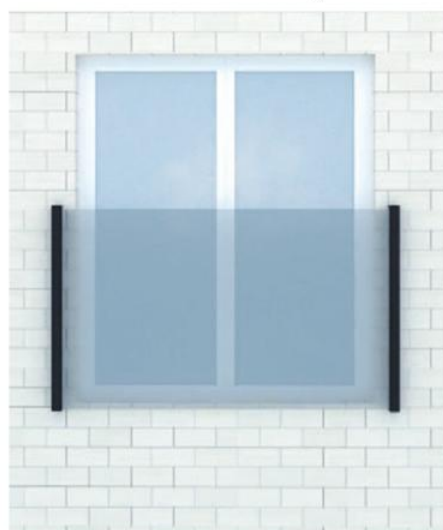


## KT-JULIET-CHANNEL

Satin Anodised / Anthracite Grey / Black

Suitable For: 13.52 / 17.52 / 21.52mm Glass

Face Mounting



Frame Mounting



Reveal Mounting



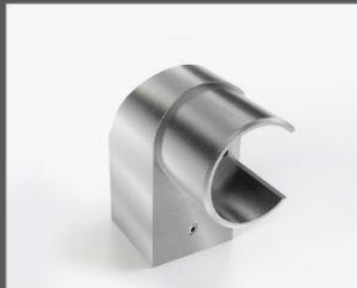
13.52mm - Max Glass Width 1200mm - 1.5kN/m

17.52mm - Max Glass Width 1700mm - 1.5kN/m

21.52mm - Max Glass Width 2000mm - 1.5kN/m

Suitable Fixing

Brickwork / Concrete  
Timber  
Aluminium Frames  
UPVC

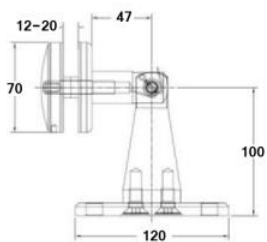


**KT-Juliet-Set**  
 316 Grade Satin Finish  
 Juliet Balcony Set (Not Including Glass)  
 Includes 4 x Brackets Suitable for 42.4mm

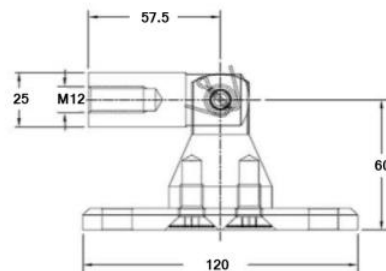
**Slotted Tube**  
 RO1002  
 42.4 x 1.5mm Wall  
 304 or 316 Grade Satin  
 3 or 6 Metre Lengths

**KT-Juliet-Bracket**  
 316 Grade Satin Finish  
 Mid-Bracket for Juliet Set

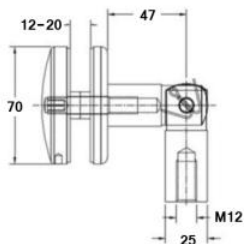
\*Suitable for 12 - 17.52mm Glass  
 \*\*Installation Instructions Available Upon Request



VDH1001-1  
Wall to Glass  
316 Satin



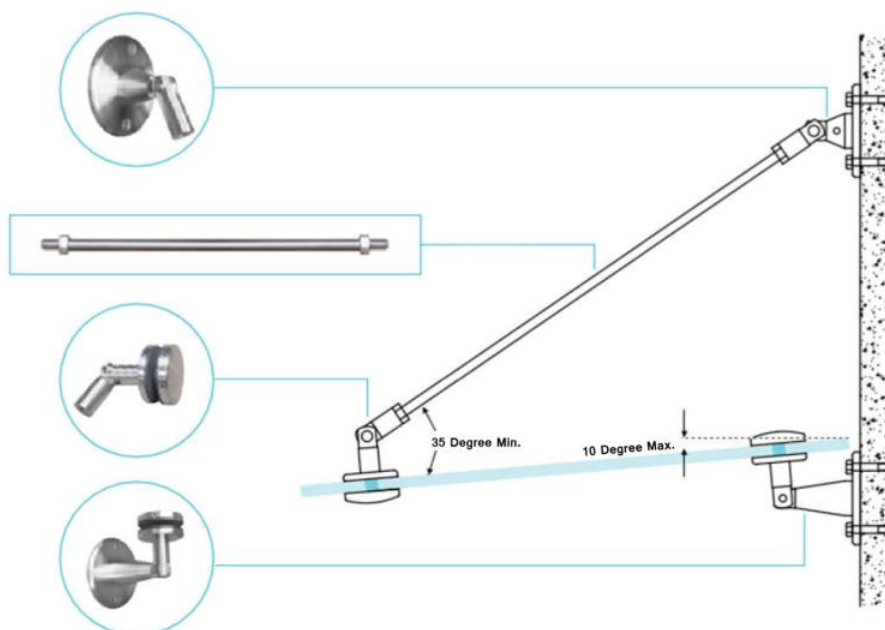
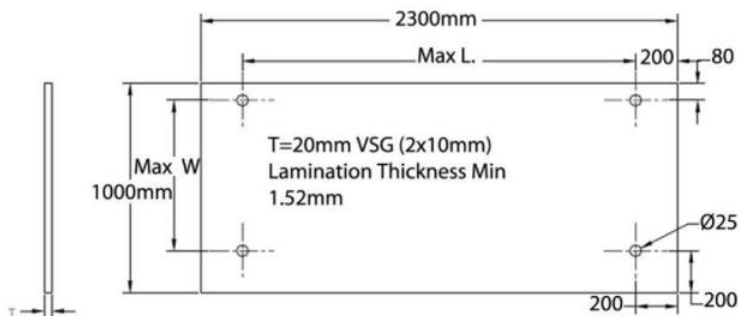
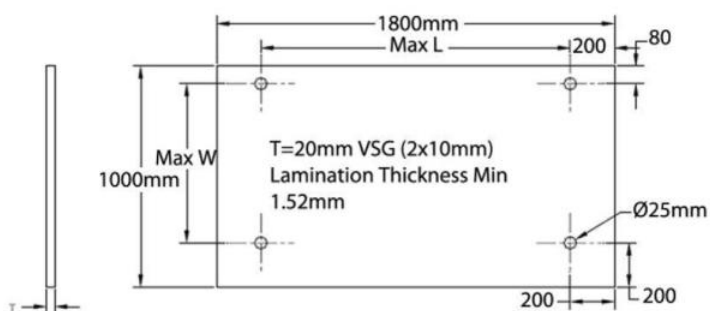
VDH1002-1  
Wall to Rod  
316 Satin



VDH1003-1  
Rod to Glass  
316 Satin



ZUG1001  
12mm Threaded Bar - 940 or 1500mm Standard  
316 Satin



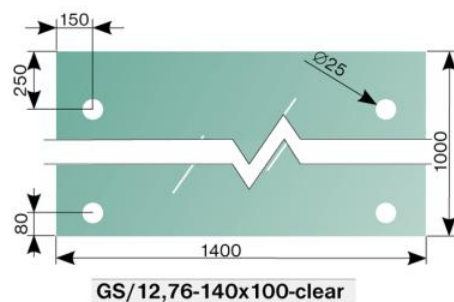
GS/14PR-R3-M12-SET  
For 12.76mm Glass Only

	<b>AISI316</b> <b>A14/PR70x40-M12</b>														
	<b>Dimensions</b> mm	<table border="1"> <tr> <th>M</th> <th>L</th> <th>h</th> <th>a</th> <th>b</th> <th>c</th> <th>d</th> </tr> <tr> <td>12</td> <td>70-76</td> <td>60</td> <td>70</td> <td>40</td> <td>48</td> <td>20</td> </tr> </table>	M	L	h	a	b	c	d	12	70-76	60	70	40	48
M	L	h	a	b	c	d									
12	70-76	60	70	40	48	20									

	<b>AISI316</b> <b>A14/PR70x40-60</b>														
	<b>Dimensions</b> mm	<table border="1"> <tr> <th>∅ D1</th> <th>h</th> <th>L</th> <th>a</th> <th>b</th> <th>c</th> <th>d</th> </tr> <tr> <td>58</td> <td>50</td> <td>70-76</td> <td>70</td> <td>40</td> <td>48</td> <td>20</td> </tr> </table>	∅ D1	h	L	a	b	c	d	58	50	70-76	70	40	48
∅ D1	h	L	a	b	c	d									
58	50	70-76	70	40	48	20									

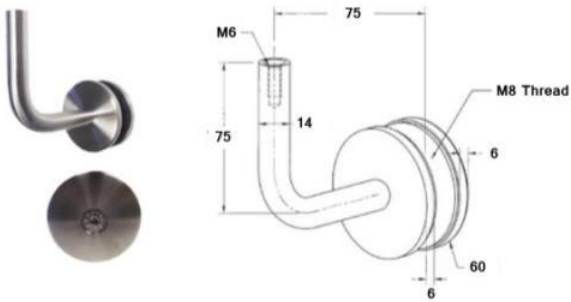
	<b>AISI316</b> <b>A14/PR-60-M12</b>								
	<b>Dimensions</b> mm	<table border="1"> <tr> <th>∅ D1</th> <th>M</th> <th>h</th> <th>L</th> </tr> <tr> <td>60</td> <td>12</td> <td>50</td> <td>60</td> </tr> </table>	∅ D1	M	h	L	60	12	50
∅ D1	M	h	L						
60	12	50	60						

	<b>AISI316</b> <b>A14/PR12-1000-M12</b>						
	<b>Dimensions</b> mm	<table border="1"> <tr> <th>M</th> <th>L</th> <th>∅ d</th> </tr> <tr> <td>12</td> <td>1000</td> <td>12</td> </tr> </table>	M	L	∅ d	12	1000
M	L	∅ d					
12	1000	12					

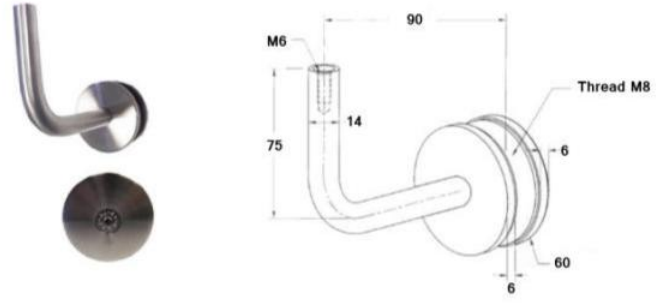


Kit Code: GS14/PR-R3-M12-SE

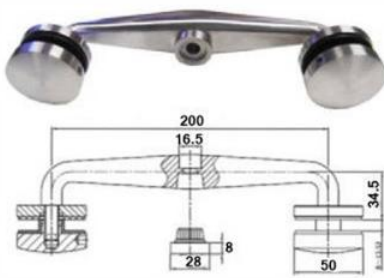




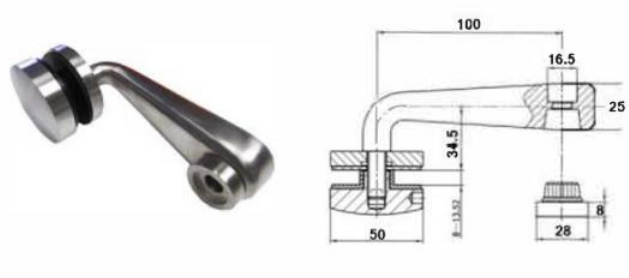
HH1013-75  
Glass Bracket and Rod  
316 Satin / Mirror



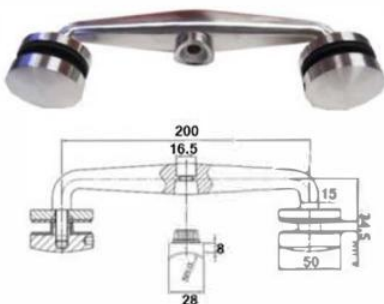
HH1013-90  
Glass Bracket and Rod  
316 Satin / Mirror



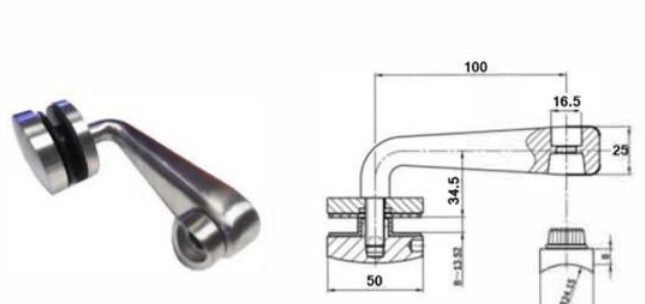
GLH1030  
Glass Retainer - Flat  
316 Satin



GLH1032  
Glass Retainer - Flat  
316 Satin



GLH1031  
Glass Retainer - 48.3 / 50.8mm Tube  
316 Satin



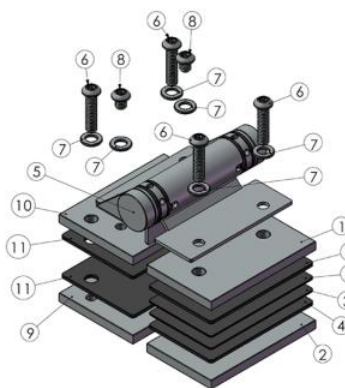
GLH1033  
Glass Retainer - 48.3 / 50.8mm Tube  
316 Satin



KLH10F-DROP-PLATE / KLH10R-DROP-PLATE  
Flat Post / 42.4mm Post / 48.3mm Post  
40 x 18mm  
316 Satin



**KT-HINGE-GLASS-GLASS**  
Glass to Glass Gate Hinge  
Suitable for 10-12mm Glass  
316 Satin



- Part 1 - Front Plate 48 x 78 Quantity : 1
- Part 2 - Back Plate 48 x 78 Quantity : 1
- Part 3 - Plastic 48 x 78 x 1 Quantity : 2
- Part 4 - Plastic 48 x 78 x 2 Quantity : 2
- Part 5 - Hinge - Quantity : 1
- Part 6 - Screw M6 x 28 Quantity: 4
- Part 7 - M6 Gasket Quantity : 6
- Part 8 - Screw M6 x 10.5 Quantity : 2
- Part 9 - Back Plate 55 x 78 Quantity : 1
- Part 10 - Front Plate 55 x 78 Quantity : 1
- Part 11 - Plastic 55 x 78 x 2 Quantity : 2
- Note: Form into a single hinge fitting, a pair must x 2



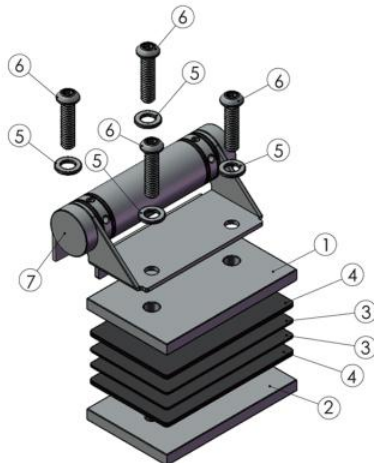
**KT-HINGE-POST-GLASS**  
Post to Glass Gate Hinge (48.3mm Only)  
Suitable for 10-12mm Glass  
316 Satin



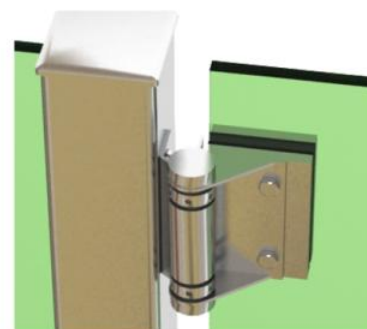
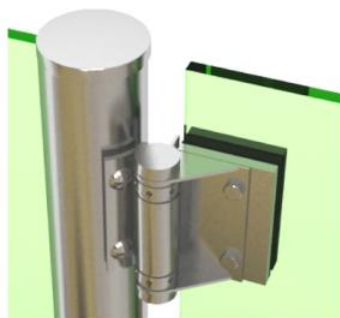
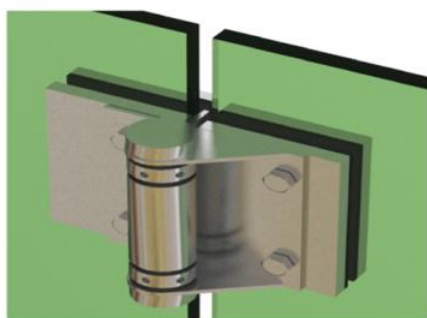
- Part 1 - Front Plate 48 x 78 Quantity : 1
- Part 2 - Back Plate 48 x 78 Quantity : 1
- Part 3 - Plastic 48 x 78 x 1 Quantity : 2
- Part 4 - Plastic 48 x 78 x 2 Quantity : 2
- Part 5 - M6 Gasket Quantity : 4
- Part 6 - M6 x 28 Screw Quantity : 4
- Part 7 - Main Body Quantity : 1
- Note: Form into a single hinge fitting, a pair must be x 2



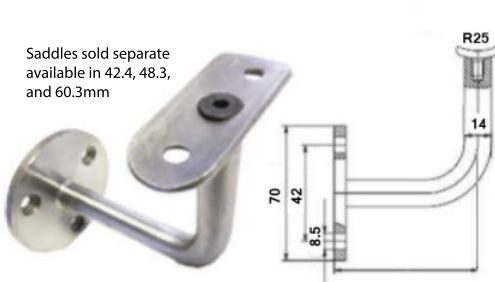
**KT-HINGE-FLAT-GLASS**  
Square Post to Glass Gate Hinge  
Suitable for 10-12mm Glass  
316 Satin



- Part 1 - Front Plate 48 x 78 Quantity : 1
- Part 2 - Back Plate 48 x 78 Quantity : 1
- Part 3 - Plastic 48 x 78 x 1 Quantity : 2
- Part 4 - Plastic 48 x 78 x 2 Quantity : 2
- Part 5 - M6 Gasket Quantity : 4
- Part 6 - M6 x 28 Screw Quantity : 4
- Part 7 - Main Body Quantity : 1
- Note: Form into a single hinge fitting, a pair must be x 2



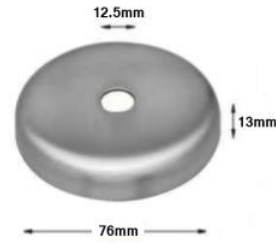
Saddles sold separate available in 42.4, 48.3, and 60.3mm



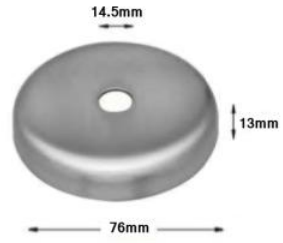
HH1003Y - 75mm Offset - 316 Satin  
HH1003K - 90mm Offset - 316 Satin



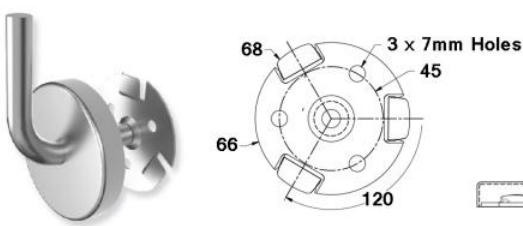
HH1012K  
Adjustable Handrail Bracket  
316 Satin  
(Saddles sold separately)



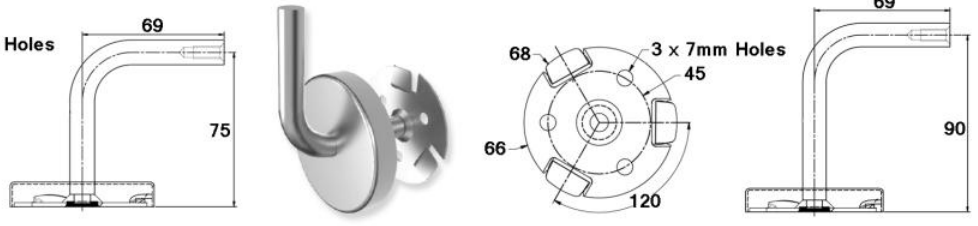
ROS1003-12.5K  
76mm Cover Plate  
With 12.5mm Hole  
316 Satin



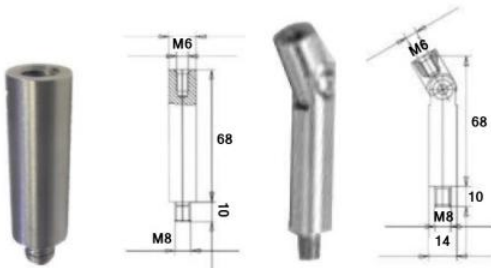
ROS1003-14.5K  
76mm Cover Plate  
With 14.5mm Hole  
316 Satin



KT-Twist-Lock-75mm  
75mm Off-Set Twist  
and Lock Handrail Bracket  
316 Satin

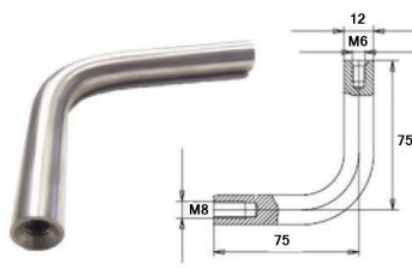


KT-Twist-Lock-90mm  
90mm Off-Set Twist  
and Lock Handrail Bracket  
316 Satin

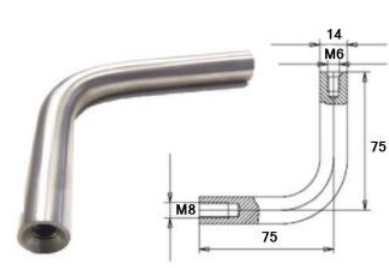


HH1002K-H-14MM  
Straight Stem M8  
316 Satin

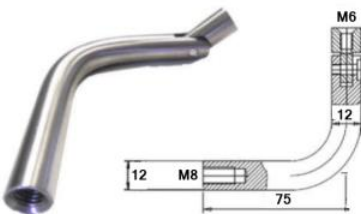
GLS1002K  
Adjustable Neck M8  
316 Satin



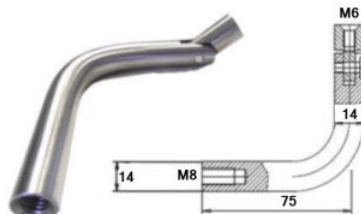
HH1003-STEM12K  
Arm Only  
316 Satin



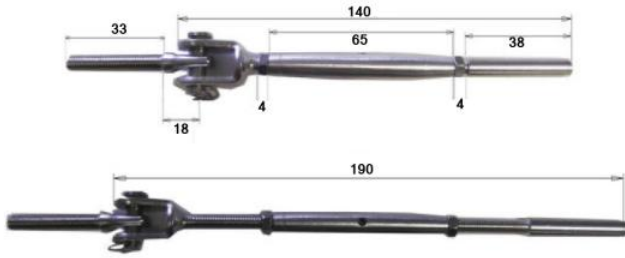
HH1003-STEM-14MM  
Arm Only  
316 Satin



HH1003-STEM-ADJ-12MM  
Arm Only  
316 Satin



HH1003-ADJ-14MM  
Arm Only  
316 Satin



SHA1030-316  
Adjustable End Terminal for Crimping 5mm Wire  
316



EST1001-316-B-K  
End Wire Holder for Crimping 5mm Wire  
316



WB-805-316  
5mm Wire - 1 x 19mm  
50m / 100m / 250m Coils  
316



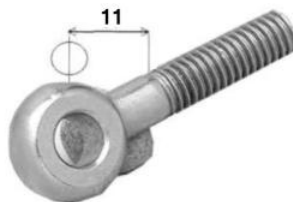
Crimper  
Hydraulic Battery Crimping Tool  
(Available for Rent)



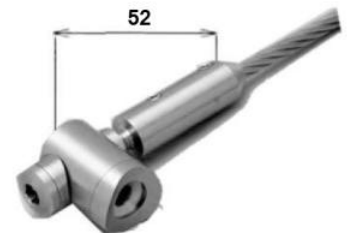
Wire Cutters



SHA1020-WIREHOLDER  
Wire Holder x 5mm Wire  
Includes 3 Grub Screws

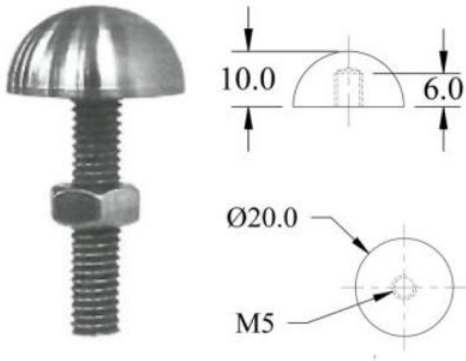


SHA1005  
5mm Wire Eye Bolt  
316

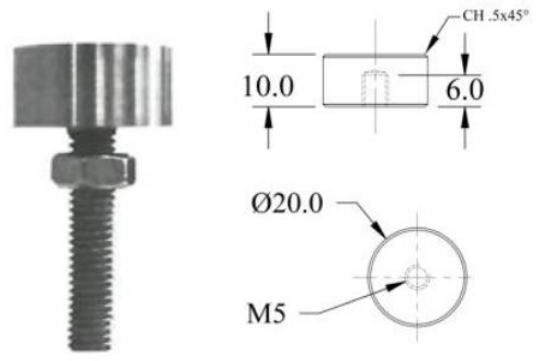


SHA1020  
5mm Wire Holder  
Flat / 42.4 / 48.3

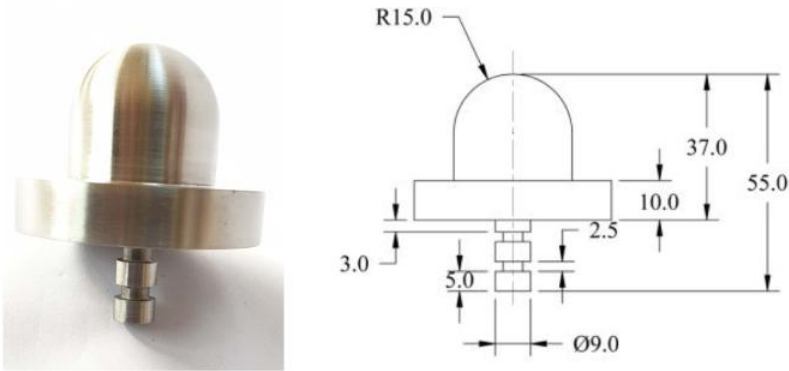




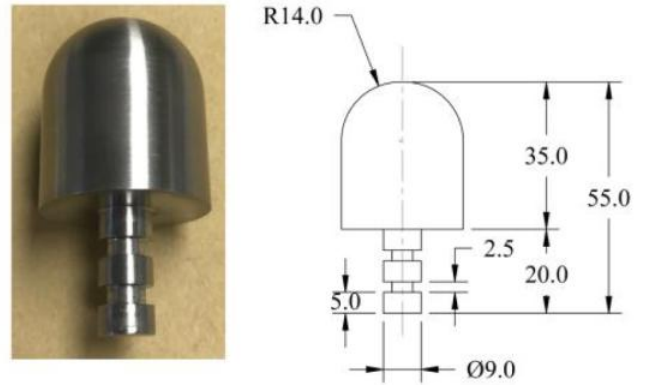
SKT/BD-1



SKT/BD-2



SKT/BD-3



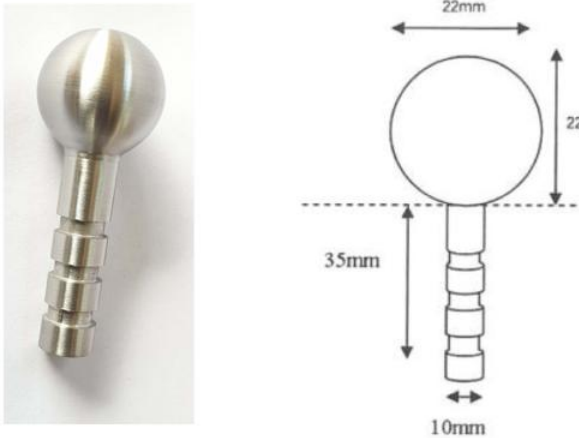
SKT/BD-4



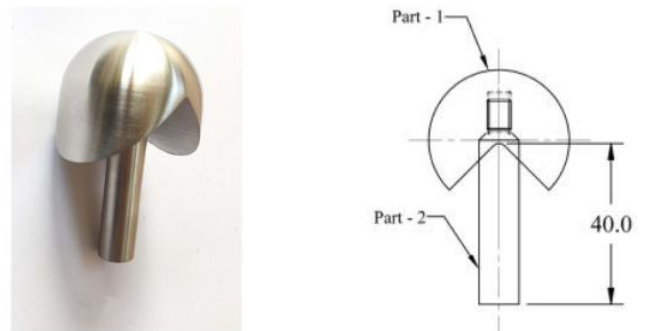
SKT/BD-5



SKT/BD-6



SKT/BD-7



SKT/BD-8



RO1001 - Round Tube  
33.7 x 2mm, 42.4 x 2mm, 42.4 x 2.5mm,  
48.3 x 2mm, 48.3 x 2.6mm, 50.8 x 3mm,  
60.3 x 4mm

304 Satin / 316 Satin / 316 Mirror



ST1001 / WT14 - Rod  
10mm, 12mm, 14mm  
304 Satin / 316 Satin



RO1001-BOX - 40 x 40 Square Slotted Tube  
316 Satin



RO1004-BOX - Square / Rectangular Slotted Tube  
40 x 40 - 316 Satin / 316 Mirror  
60 x 40 - 316 Satin



RO1002 / RO1004 - Round Slotted Tube  
42.4 - 304 Satin / 316 Satin / 316 Mirror  
48.3 - 304 Satin / 316 Satin / 316 Mirror  
60.3 - 316 Satin



RO1004-Oval - Slotted Tube  
80 x 40 - 316 Satin / 316 Mirror  
110 x 40 - 316 Satin



KLE1 - Glue Gun



E205 - Epoxy  
50ml Toughening Adhesive  
(Ideal for Gaps Over 1mm)



KLE6B - Nozzles  
(1 Nozzle Supplied With Each E205)



6740.01 - SB Cleaner  
500ml Stain Remover



6740.02 - SB Super Cleaner  
100ml x 2 Conditioner &  
Rust Remover



6740.03 - SB Glue  
(Ideal for Small Gaps  
Under 1mm)



6740.04 - Activator Spray  
150ml Faster Fixation



6740.05 - Cleaner  
Degrease and Clean 400ml



6740.06 - Screw Retention  
Thread Locking Paste 50ml



PSP1001  
Preservation Spray (Care Oil)



RSP1001  
Cleaning Spray



VL1001  
Cleaning Pad

**Kensington Traders Limited**

23-25 Ribocon Way, Progress Park,  
Luton, Bedfordshire. LU4 9UR

**T:** 01582 563794 **F:** 01582 491925

**E:** [Sales@kensingtonforge.co.uk](mailto:Sales@kensingtonforge.co.uk)

**W:** [www.balustrade-systems.com](http://www.balustrade-systems.com)