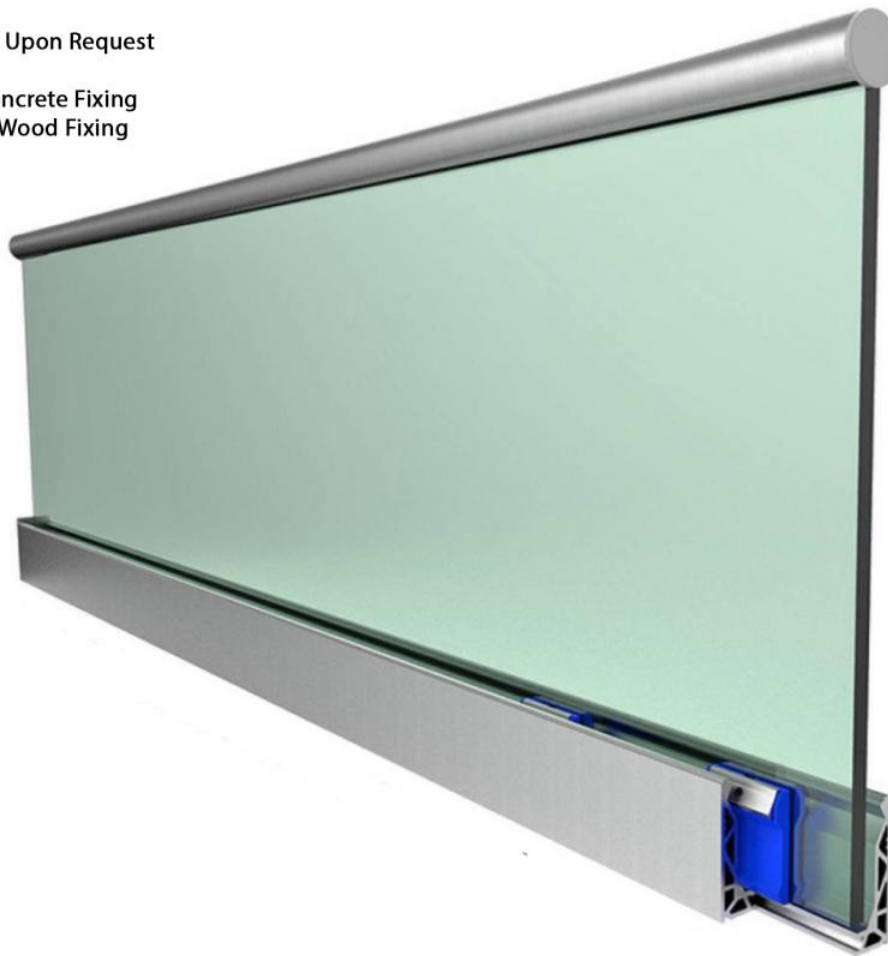
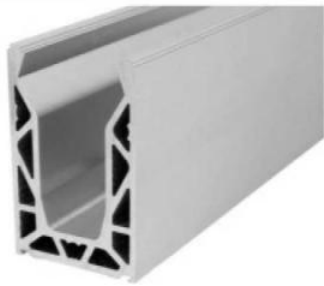


12 + 13.52mm Glass - 0.36kN/m  
15 + 17.52mm Glass - 0.74kN/m  
19 + 21.52mm Glass - 1.5kN/m

Test Reports Available Upon Request

Suitable for Steel & Concrete Fixing  
Please Enquire About Wood Fixing





**KT-Top-Floor-Channel**  
3 Metre Lengths - Price Per Metre  
Satin Anodised Aluminium

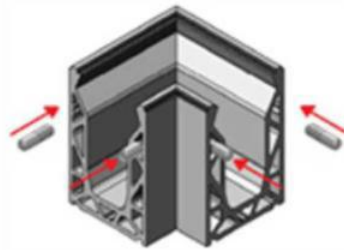


|                    |
|--------------------|
| KT-12MMGLASS-KIT   |
| KT-13.5MMGLASS-KIT |
| KT-15MMGLASS-KIT   |
| KT-17.5MMGLASS-KIT |
| KT-19MMGLASS-KIT   |
| KT-21.5MMGLASS-KIT |

**KT-Glass-Kit**  
3 Metre Packs - Price Per Metre  
Wedges / Bolts / Bars / Rubber Seal



**KT-Bead-Strip**  
3 Metre Lengths - Price Per Metre  
Satin Anodised Aluminium



**KT-90D-CNR-TOP-CH**  
90 Degree Corner  
Supplied with Dowels



**KT-Spanner**  
(Recommended 2 Per Project)



**KT-Timber-Fixng-Kit**  
Timber Fixing Plates 15 Piece Set  
+ M12 Bolts for Base Fix  
(Sold in 3 Metre Packs)



**KT-Dowel-Connect**  
(Pack of 2)

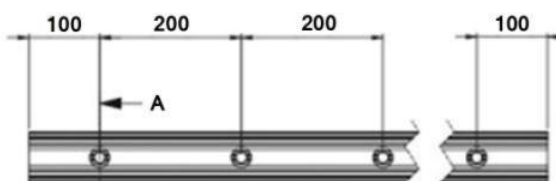
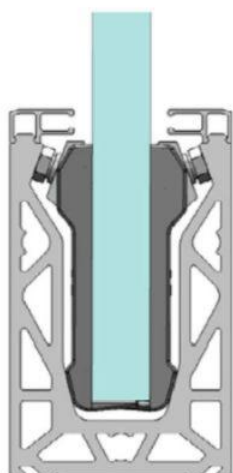
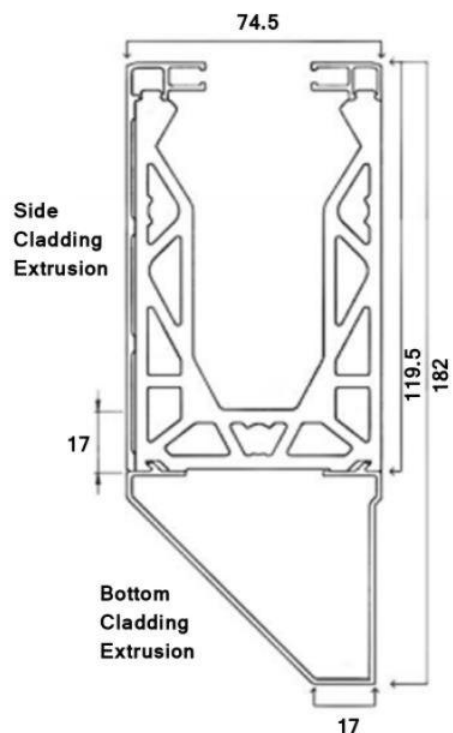
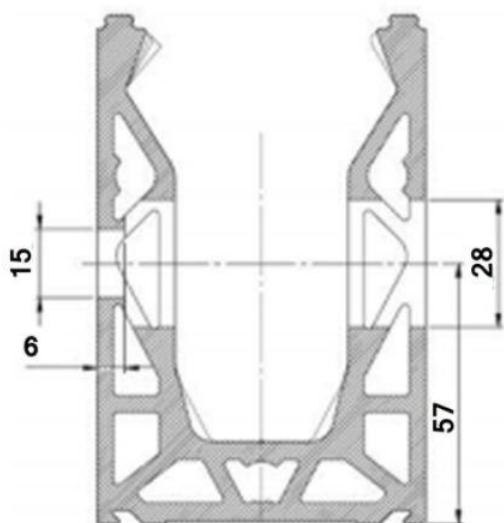
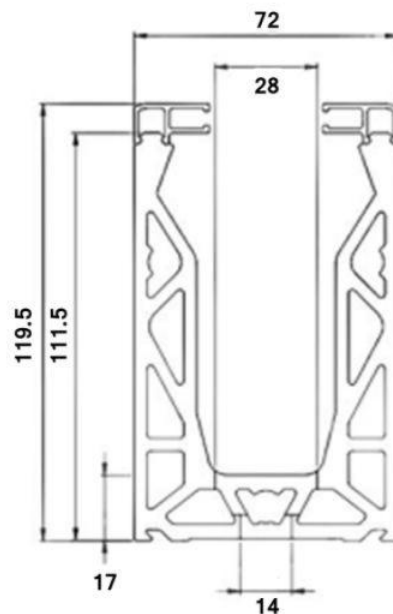
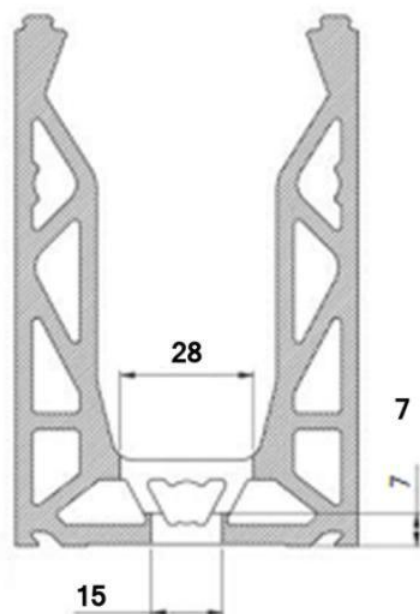


**KT-Drainage-Block**



**KT-End-Cap-Push-Fit**  
4mm Thick  
Push Fit (with dowels)

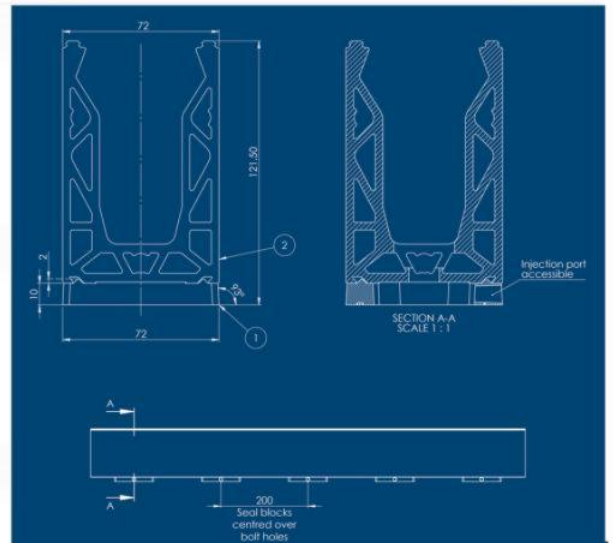
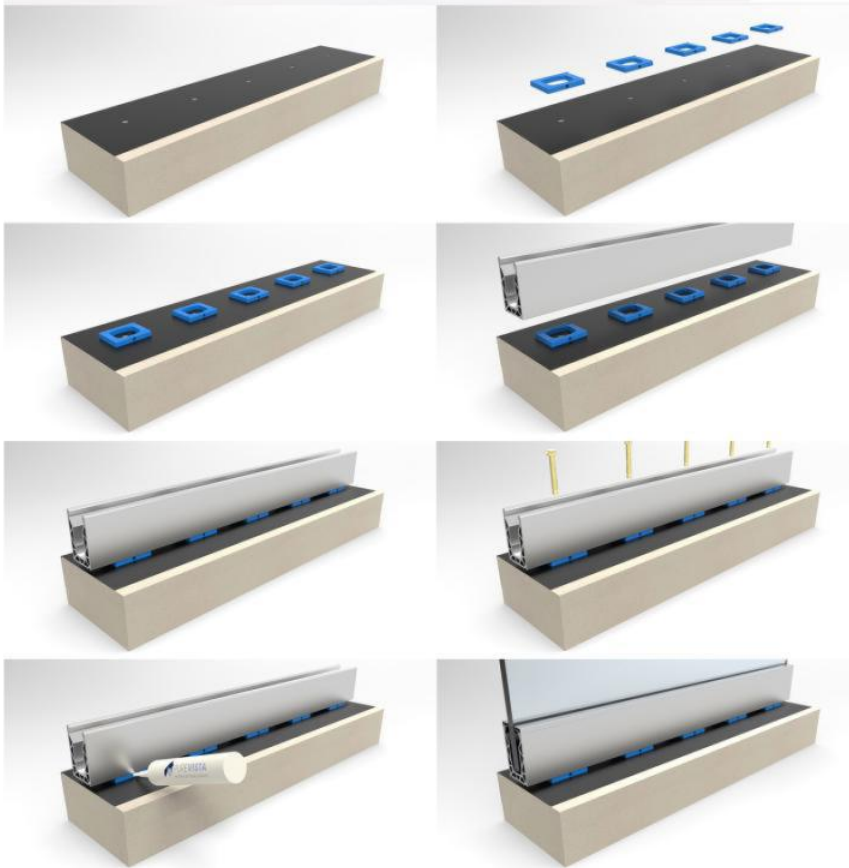




**KT-Bal-Seal-Kit**

\*Includes 15 x Balcony Seal Drainage Blocks + 2 x Tubes of Sealant

This is a revolutionary product that provides a solution to both water drainage and waterproofing on a balcony installation. It comprises of drain blocks that sit underneath the balustrade channel. Notches on the top side of the drain blocks locate into the rebates of the channel, locking it into position before the system is bolt-fixed to the substrate through each drain block. The gaps between the drain block are your water drainage channels. The drain blocks are subsequently filled with sealant to create a fully waterproofed balustrade installation.





15 + 17.52mm Glass - 0.36kN/m  
19 + 21.52mm Glass - 0.74kN/m

Test Reports Available Upon Request

Suitable for Steel & Concrete Fixing



KT-Side-Fix-Channel  
3 Metre Lengths - Price Per Metre  
Anodised Aluminium



|                    |
|--------------------|
| KT-12MMGLASS-KIT   |
| KT-13.5MMGLASS-KIT |
| KT-15MMGLASS-KIT   |
| KT-17.5MMGLASS-KIT |
| KT-19MMGLASS-KIT   |
| KT-21.5MMGLASS-KIT |

KT-Glass-Kit  
3 Metre Packs - Price Per Metre  
Wedges / Bolts / Bars / Rubber Seal



KT-Side-Cladding  
3 Metre Lengths - Price Per Metre  
Satin Anodised Aluminium



KT-Bottom-Cladding  
3 Metre Lengths - Price Per Metre  
Satin Anodised Aluminium



KT-Bead-Strip  
3 Metre Lengths - Price Per Metre  
Satin Anodised Aluminium



KT-Spanner  
(Recommended 2 Per Project)



KT-End-Cap-Side-L/H  
Satin Anodised Aluminium

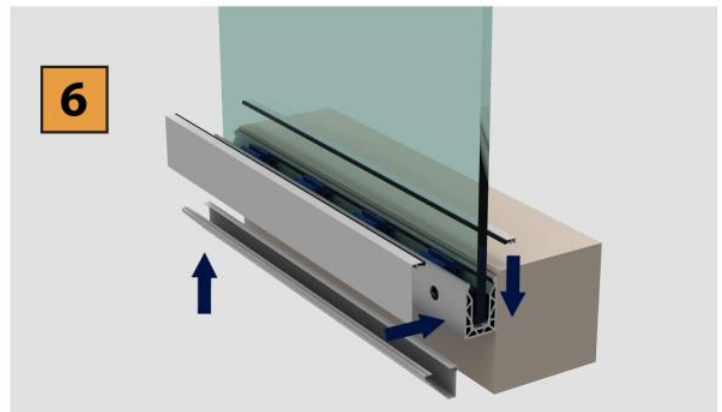
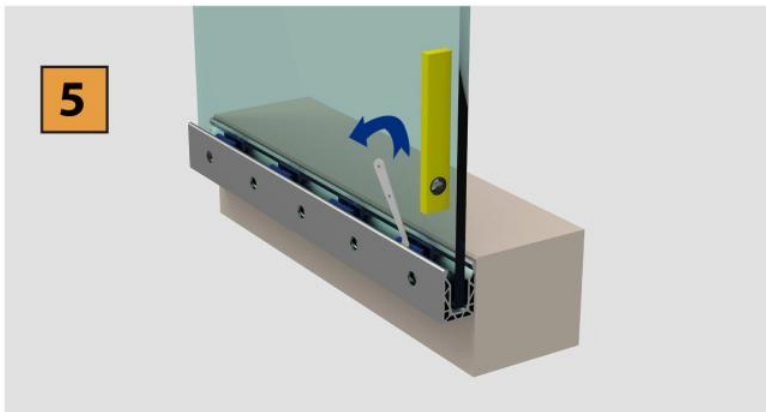
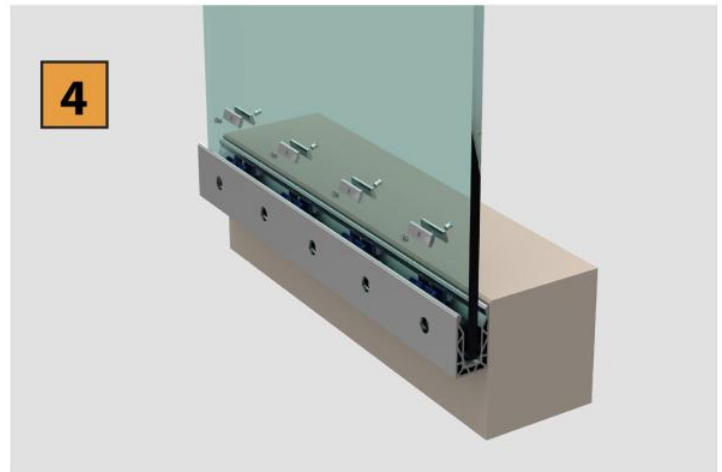
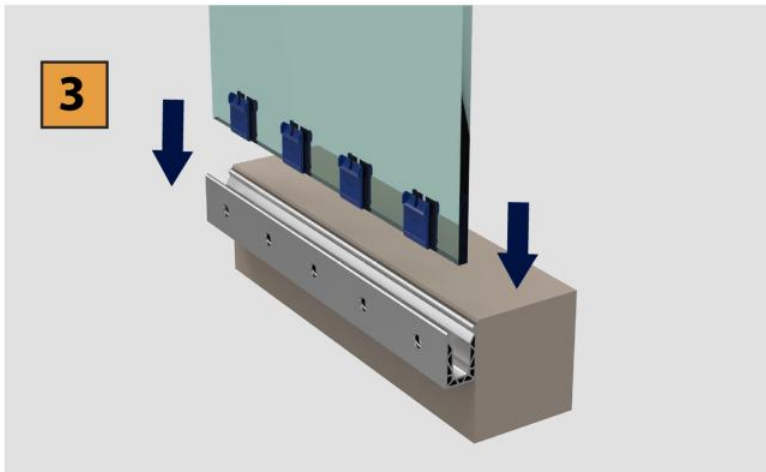
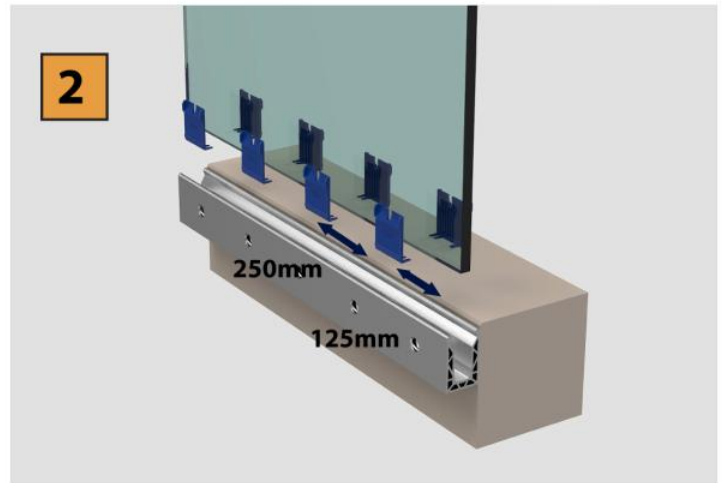
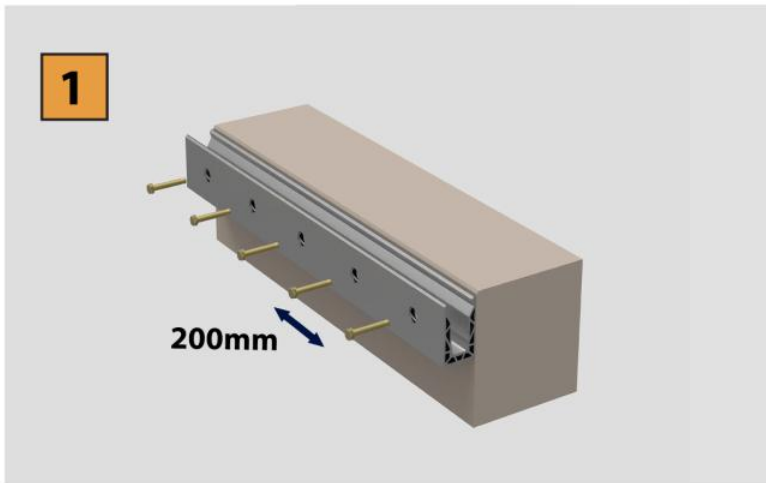
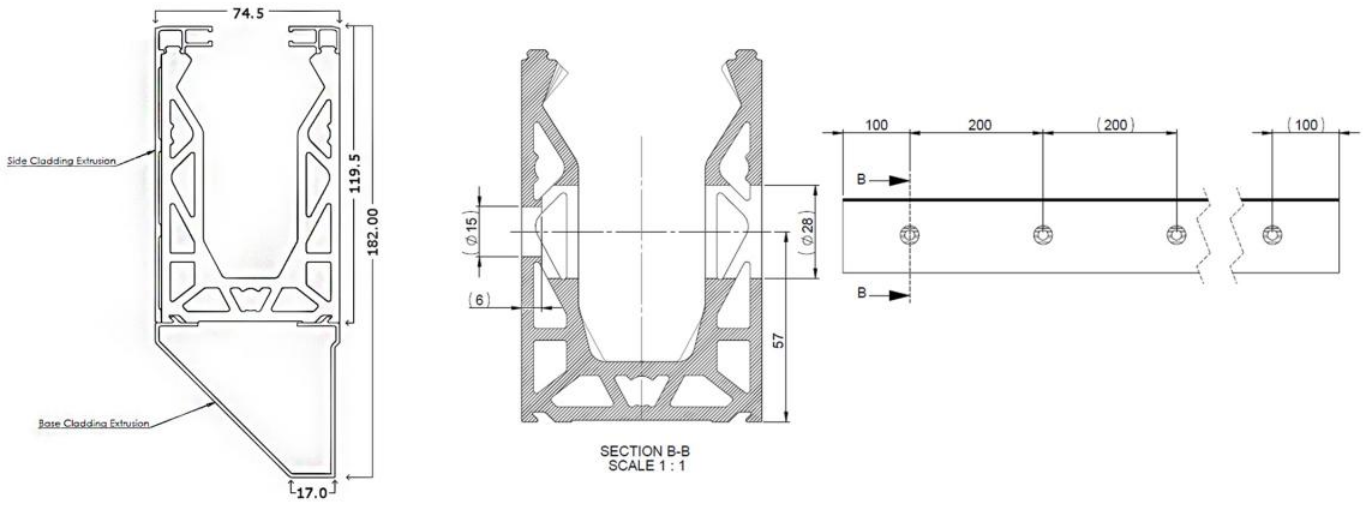


KT-End-Cap-Side-R/H  
Satin Anodised Aluminium



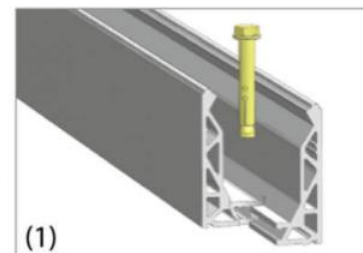
KT-Dowel-Connect  
(Pack of 2)





## Fitting Instructions

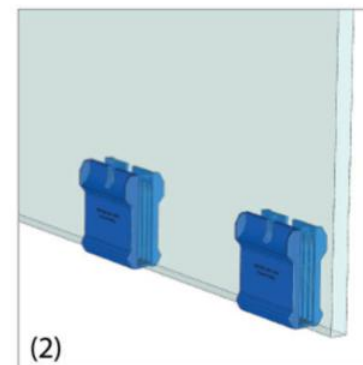
1. The aluminium base rail should be put into place with the holes marked onto the substrate for drilling, and the aluminium base rail should then be levelled and plumbed up with the use of shims. Once the shoe is plumb and level, the fixings should be tightened up to make the channel rigid. The fixings should be tightened in accordance with the manufactures.



(1)

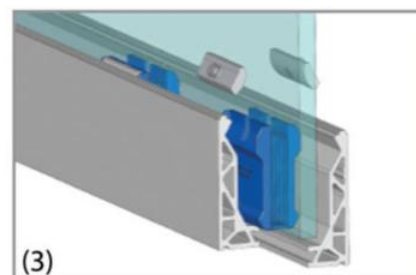
2. The glass slip clamp needs to be placed on the bottom of the glass. This requires lifting the glass off the floor sufficiently to squeeze these on or turning the glass upside down. The slip clamps require spacing according to the glass thickness these are as followed:-

- All glass types require 4 clamps per metre so number one should be in 125mm from the end of the glass and then 250mm thereafter.



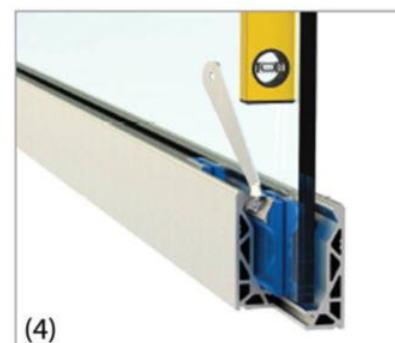
(2)

3. Once the glass is fitted into place, you now need to press the clamp bars into the top of each glass slip clamp. These need to be put in the right way for correct and proper fitment – this is shown in the image on the right.



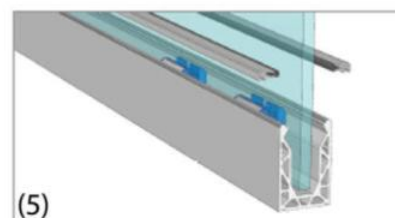
(3)

4. Once these are in you now need to place a spirit level on the glass to get the glass plumb. These bolts now need tightening into the channel equally to keep the same pressures on the glass. To achieve this initially make sure they are plumb and level at each end of the glass and tighten. Then tighten the intermediate clamp bars. Once the bolts have pinched they now require an additional quarter to lock the glass in place.



(4)

5. The gasket requires feeding into smaller channels supplied. Once these are flush with each end the strip now needs to be clipped onto the top channel. This can be done by either pressing the whole thing on evenly or working from one end which is recommended. Do not stretch the gasket.



(5)

6. Once you are happy everything is in place and the job is complete you need to clean the glass and the channel. We recommend the use of any standard glass cleaner so long as it is not abrasive. We also recommend a soft sponge or cloth again to avoid any risk of scratching.