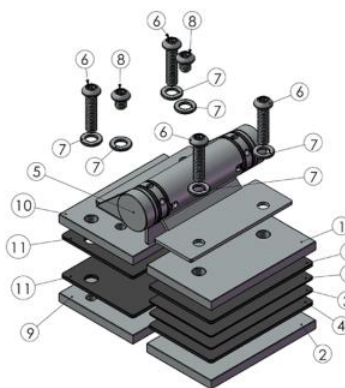




KT-HINGE-GLASS-GLASS
Glass to Glass Gate Hinge
Suitable for 10-12mm Glass
316 Satin



- Part 1 - Front Plate 48 x 78 Quantity : 1
- Part 2 - Back Plate 48 x 78 Quantity : 1
- Part 3 - Plastic 48 x 78 x 1 Quantity : 2
- Part 4 - Plastic 48 x 78 x 2 Quantity : 2
- Part 5 - Hinge - Quantity : 1
- Part 6 - Screw M6 x 28 Quantity: 4
- Part 7 - M6 Gasket Quantity : 6
- Part 8 - Screw M6 x 10.5 Quantity : 2
- Part 9 - Back Plate 55 x 78 Quantity : 1
- Part 10 - Front Plate 55 x 78 Quantity : 1
- Part 11 - Plastic 55 x 78 x 2 Quantity : 2
- Note: Form into a single hinge fitting, a pair must x 2



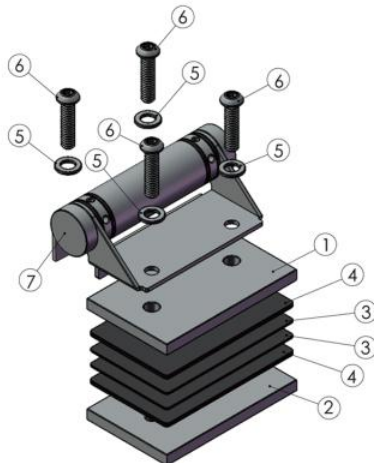
KT-HINGE-POST-GLASS
Post to Glass Gate Hinge (48.3mm Only)
Suitable for 10-12mm Glass
316 Satin



- Part 1 - Front Plate 48 x 78 Quantity : 1
- Part 2 - Back Plate 48 x 78 Quantity : 1
- Part 3 - Plastic 48 x 78 x 1 Quantity : 2
- Part 4 - Plastic 48 x 78 x 2 Quantity : 2
- Part 5 - M6 Gasket Quantity : 4
- Part 6 - M6 x 28 Screw Quantity : 4
- Part 7 - Main Body Quantity : 1
- Note: Form into a single hinge fitting, a pair must be x 2



KT-HINGE-FLAT-GLASS
Square Post to Glass Gate Hinge
Suitable for 10-12mm Glass
316 Satin



- Part 1 - Front Plate 48 x 78 Quantity : 1
- Part 2 - Back Plate 48 x 78 Quantity : 1
- Part 3 - Plastic 48 x 78 x 1 Quantity : 2
- Part 4 - Plastic 48 x 78 x 2 Quantity : 2
- Part 5 - M6 Gasket Quantity : 4
- Part 6 - M6 x 28 Screw Quantity : 4
- Part 7 - Main Body Quantity : 1
- Note: Form into a single hinge fitting, a pair must be x 2

