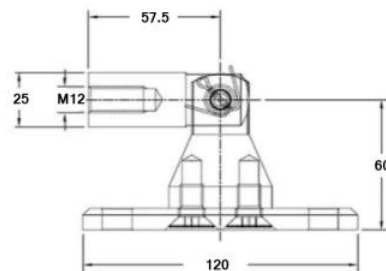
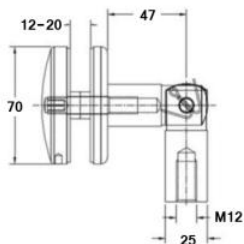


VDH1001-1  
Wall to Glass  
316 Satin



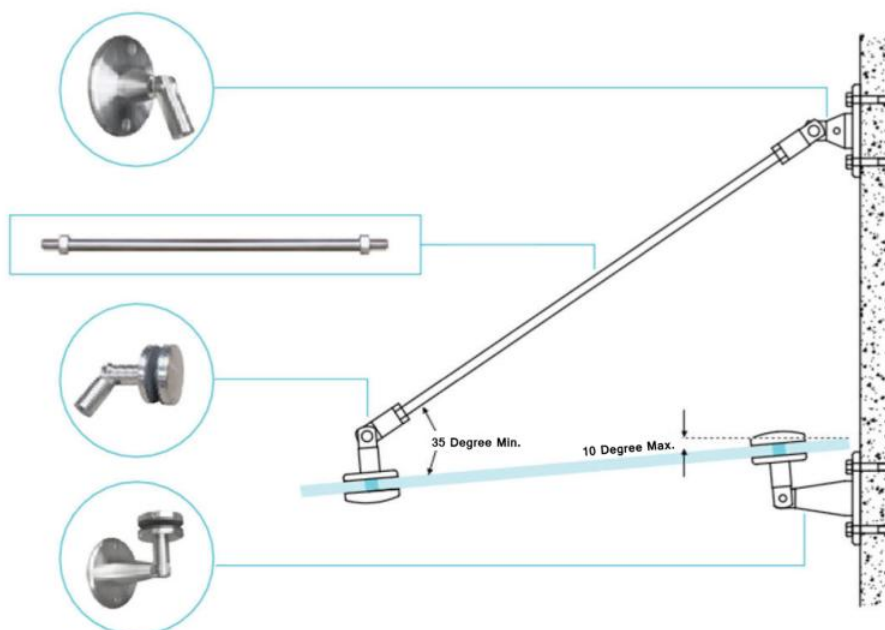
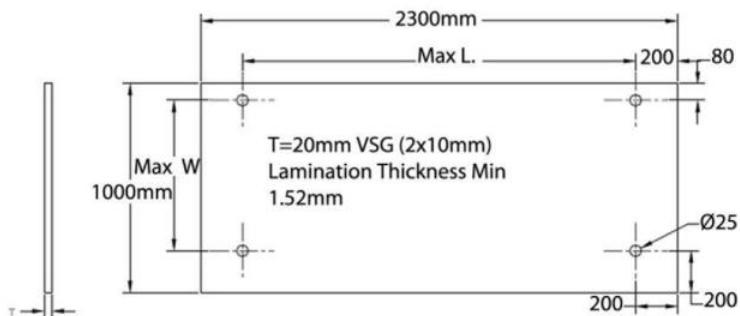
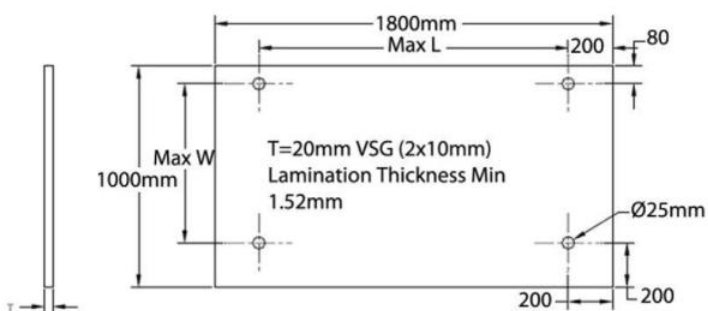
VDH1002-1  
Wall to Rod  
316 Satin




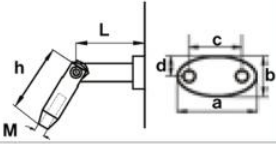

VDH1003-1  
Rod to Glass  
316 Satin


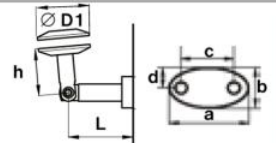




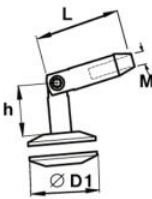

ZUG1001  
12mm Threaded Bar - 940 or 1500mm Standard  
316 Satin




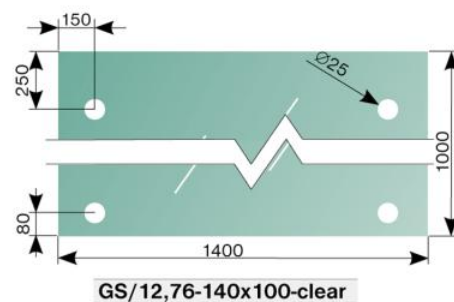
GS/14PR-R3-M12-SET  
For 12.76mm Glass Only

		<b>AISI316</b>  <b>A14/PR70x40-M12</b>							
		<b>Dimensions</b> mm		<b>M</b>	<b>L</b>	<b>h</b>	<b>a</b>	<b>b</b>	<b>c</b>
			12	70-76	60	70	40	48	20

		<b>AISI316</b>  <b>A14/PR70x40-60</b>							
		<b>Dimensions</b> mm		$\varnothing$ D1	<b>h</b>	<b>L</b>	<b>a</b>	<b>b</b>	<b>c</b>
			58	50	70-76	70	40	48	20

		<b>AISI316</b>  <b>A14/PR-60-M12</b>				
		<b>Dimensions</b> mm		$\varnothing$ D1	<b>M</b>	<b>h</b>
			60	12	50	60

		<b>AISI316</b>  <b>A14/PR12-1000-M12</b>			
		<b>Dimensions</b> mm		<b>M</b>	<b>L</b>
			12	1000	12



Kit Code: GS14/PR-R3-M12-SE

